

# LM124, LM124A, LM224, LM224A LM324, LM324A, LM2902 QUADRUPLE OPERATIONAL AMPLIFIERS

SLOS066H – SEPTEMBER 1975 – REVISED OCTOBER 2002

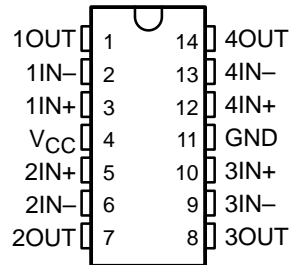
- **Wide Range of Supply Voltages:**  
Single Supply . . . 3 V to 30 V  
(LM2902, 3 V to 26 V) or Dual Supplies
- **Low Supply-Current Drain Independent of Supply Voltage . . . 0.8 mA Typ**
- **Common-Mode Input Voltage Range Includes Ground, Allowing Direct Sensing Near Ground**
- **Low Input Bias and Offset Parameters:**
  - Input Offset Voltage . . . 3 mV Typ  
A Versions . . . 2 mV Typ
  - Input Offset Current . . . 2 nA Typ
  - Input Bias Current . . . 20 nA Typ  
A Versions . . . 15 nA Typ
- **Differential Input Voltage Range Equal to Maximum-Rated Supply Voltage . . . 32 V (26 V for LM2902)**
- **Open-Loop Differential Voltage Amplification . . . 100 V/mV Typ**
- **Internal Frequency Compensation**

## description/ordering information

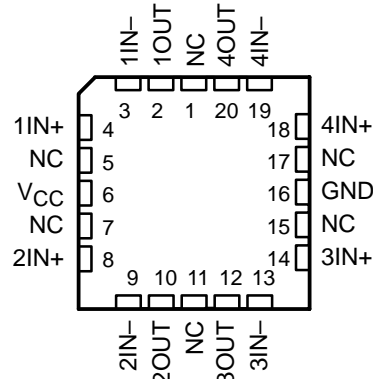
These devices consist of four independent high-gain frequency-compensated operational amplifiers that are designed specifically to operate from a single supply over a wide range of voltages. Operation from split supplies also is possible when the difference between the two supplies is 3 V to 30 V (for the LM2902, 3 V to 26 V) and  $V_{CC}$  is at least 1.5 V more positive than the input common-mode voltage. The low supply-current drain is independent of the magnitude of the supply voltage.

Applications include transducer amplifiers, dc amplification blocks, and all the conventional operational-amplifier circuits that now can be more easily implemented in single-supply-voltage systems. For example, the LM124 can be operated directly from the standard 5-V supply that is used in digital systems and easily provides the required interface electronics without requiring additional  $\pm 15$ -V supplies.

LM124 . . . D, J, OR W PACKAGE  
LM124A . . . J PACKAGE  
LM224, LM224A . . . D OR N PACKAGE  
LM324 . . . D, N, NS, OR PW PACKAGE  
LM324A . . . D, DB, N, NS, OR PW PACKAGE  
LM2902 . . . D, N, NS, OR PW PACKAGE  
(TOP VIEW)



LM124, LM124A . . . FK PACKAGE  
(TOP VIEW)



NC – No internal connection

**LM124, LM124A, LM224, LM224A  
LM324, LM324A, LM2902  
QUADRUPLE OPERATIONAL AMPLIFIERS**

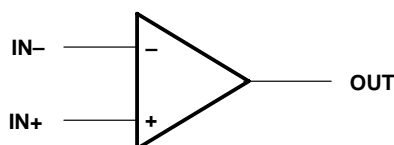
SLOS066H – SEPTEMBER 1975 – REVISED OCTOBER 2002

**ORDERING INFORMATION**

$T_A$	$V_{IOmax}$ AT 25°C	PACKAGE†		ORDERABLE PART NUMBER	TOP-SIDE MARKING
0°C to 70°C	7 mV	PDIP (N)	Tube	LM324N	LM324N
		SOIC (D)	Tube	LM324D	LM324
			Tape and reel	LM324DR	
		SOP (NS)	Tape and reel	LM324NSR	LM324
	TSSOP (PW)	Tape and reel	LM324PWR	L324	
	3 mV	PDIP (N)	Tube	LM324AN	LM324AN
		SOIC (D)	Tube	LM324AD	LM324A
			Tape and reel	LM324ADR	
		SOP (NS)	Tape and reel	LM324ANSR	LM324A
		SSOP (DB)	Tape and reel	LM324ADBR	LM324A
TSSOP (PW)	Tape and reel	LM324APWR	L324A		
-25°C to 85°C	5 mV	PDIP (N)	Tube	LM224N	LM224N
		SOIC (D)	Tube	LM224D	LM224
			Tape and reel	LM224DR	
	3 mV	PDIP (N)	Tube	LM224AN	LM224AN
		SOIC (D)	Tube	LM224AD	LM224A
			Tape and reel	LM224ADR	
-40°C to 125°C	7 mV	PDIP (N)	Tube	LM2902N	LM2902N
		SOIC (D)	Tube	LM2902D	LM2902
			Tape and reel	LM2902DR	
		SOP (NS)	Tape and reel	LM2902NSR	LM2902
TSSOP (PW)	Tape and reel	LM2902PWR	L2902		
-55°C to 125°C	5 mV	CDIP (J)	Tube	LM124J	LM124J
			Tube	LM124JB	LM124JB
		CFP (W)	Tube	LM124W	LM124W
		LCCC (FK)	Tube	LM124FKB	LM124FKB
		SOIC (D)	Tube	LM124D	LM124
	Tape and reel		LM124DR		
	2 mV	CDIP (J)	Tube	LM124AJ	LM124AJ
			Tube	LM124AJB	LM124AJB
LCCC (FK)		Tube	LM124AFKB	LM124AFKB	

† Package drawings, standard packing quantities, thermal data, symbolization, and PCB design guidelines are available at [www.ti.com/sc/package](http://www.ti.com/sc/package).

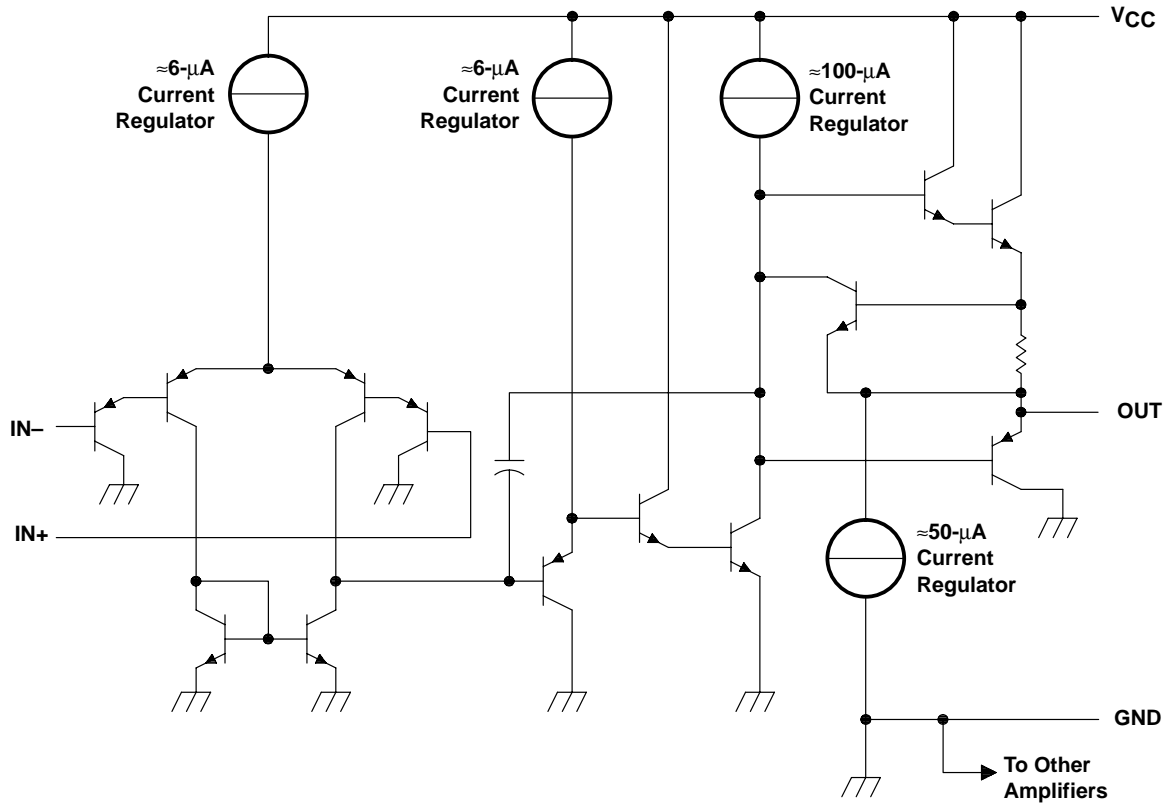
**symbol (each amplifier)**



LM124, LM124A, LM224, LM224A  
LM324, LM324A, LM2902  
QUADRUPLE OPERATIONAL AMPLIFIERS

SLOS066H – SEPTEMBER 1975 – REVISED OCTOBER 2002

schematic (each amplifier)



COMPONENT COUNT (total device)	
Epi-FET	1
Transistors	95
Diodes	4
Resistors	11
Capacitors	4

**LM124, LM124A, LM224, LM224A  
LM324, LM324A, LM2902  
QUADRUPLE OPERATIONAL AMPLIFIERS**

SLOS066H – SEPTEMBER 1975 – REVISED OCTOBER 2002

**absolute maximum ratings over operating free-air temperature range (unless otherwise noted)†**

		LM124, LM124A LM224, LM224A LM324, LM324A	LM2902	UNIT
Supply voltage, $V_{CC}$ (see Note 1)		32	26	V
Differential input voltage, $V_{ID}$ (see Note 2)		$\pm 32$	$\pm 26$	V
Input voltage, $V_I$ (either input)		-0.3 to 32	-0.3 to 26	V
Duration of output short circuit (one amplifier) to ground at (or below) $T_A = 25^\circ\text{C}$ , $V_{CC} \leq 15\text{ V}$ (see Note 3)		Unlimited	Unlimited	
Operating virtual junction temperature, $T_J$		150	150	$^\circ\text{C}$
Package thermal impedance, $\theta_{JA}$ (see Notes 4 and 5)	D package	86	86	$^\circ\text{C}/\text{W}$
	DB package	96		
	N package	80	80	
	NS package	76	76	
	PW package	113	113	
Package thermal impedance, $\theta_{JC}$ (see Notes 6 and 7)	FK package	5.61		$^\circ\text{C}/\text{W}$
	J package	15.05		
	W package	14.65		
Case temperature for 60 seconds	FK package	260		$^\circ\text{C}$
Lead temperature 1,6 mm (1/16 inch) from case for 60 seconds	J or W package	300	300	$^\circ\text{C}$
Lead temperature 1,6 mm (1/16 inch) from case for 10 seconds	N package	260	260	$^\circ\text{C}$
Storage temperature range, $T_{stg}$		-65 to 150	-65 to 150	$^\circ\text{C}$

† Stresses beyond those listed under “absolute maximum ratings” may cause permanent damage to the device. These are stress ratings only, and functional operation of the device at these or any other conditions beyond those indicated under “recommended operating conditions” is not implied. Exposure to absolute-maximum-rated conditions for extended periods may affect device reliability.

- NOTES:
1. All voltage values (except differential voltages and  $V_{CC}$  specified for the measurement of  $I_{OS}$ ) are with respect to the network GND.
  2. Differential voltages are at  $IN+$  with respect to  $IN-$ .
  3. Short circuits from outputs to  $V_{CC}$  can cause excessive heating and eventual destruction.
  4. Maximum power dissipation is a function of  $T_J(\text{max})$ ,  $\theta_{JA}$ , and  $T_A$ . The maximum allowable power dissipation at any allowable ambient temperature is  $P_D = (T_J(\text{max}) - T_A)/\theta_{JA}$ . Operating at the absolute maximum  $T_J$  of  $150^\circ\text{C}$  can affect reliability.
  5. The package thermal impedance is calculated in accordance with JESD 51-7.
  6. Maximum power dissipation is a function of  $T_J(\text{max})$ ,  $\theta_{JC}$ , and  $T_C$ . The maximum allowable power dissipation at any allowable case temperature is  $P_D = (T_J(\text{max}) - T_C)/\theta_{JC}$ . Operating at the absolute maximum  $T_J$  of  $150^\circ\text{C}$  can affect reliability.
  7. The package thermal impedance is calculated in accordance with MIL-STD-883.



electrical characteristics at specified free-air temperature,  $V_{CC} = 5\text{ V}$  (unless otherwise noted)

PARAMETER	TEST CONDITION <sup>†</sup>	$T_A$ <sup>‡</sup>	LM124, LM224			LM324			LM2902			UNIT	
			MIN	TYP <sup>§</sup>	MAX	MIN	TYP <sup>§</sup>	MAX	MIN	TYP <sup>§</sup>	MAX		
$V_{IO}$	Input offset voltage	$V_{CC} = 5\text{ V to MAX}$ , $V_{IC} = V_{ICRmin}$ , $V_O = 1.4\text{ V}$	25°C	3	5		3	7		3	7	mV	
			Full range			7		9			10		
$I_{IO}$	Input offset current	$V_O = 1.4\text{ V}$	25°C	2	30		2	50		2	50	nA	
			Full range			100		150			300		
$I_{IB}$	Input bias current	$V_O = 1.4\text{ V}$	25°C	-20	-150		-20	-250		-20	-250	nA	
			Full range			-300		-500			-500		
$V_{ICR}$	Common-mode input voltage range	$V_{CC} = 5\text{ V to MAX}$	25°C	0 to $V_{CC}-1.5$		0 to $V_{CC}-1.5$		0 to $V_{CC}-1.5$				V	
			Full range	0 to $V_{CC}-2$		0 to $V_{CC}-2$		0 to $V_{CC}-2$					
$V_{OH}$	High-level output voltage	$R_L = 2\text{ k}\Omega$	25°C	$V_{CC}-1.5$		$V_{CC}-1.5$						V	
			25°C	$V_{CC}-1.5$		$V_{CC}-1.5$				$V_{CC}-1.5$			
			Full range	26		26		22					
			Full range	27	28	27	28	23	24				
$V_{OL}$	Low-level output voltage	$R_L \leq 10\text{ k}\Omega$	Full range	5	20		5	20		5	20	mV	
$A_{VD}$	Large-signal differential voltage amplification	$V_{CC} = 15\text{ V}$ , $V_O = 1\text{ V to }11\text{ V}$ , $R_L \geq 2\text{ k}\Omega$	25°C	50	100		25	100		100		V/mV	
			Full range	25			15			15			
CMRR	Common-mode rejection ratio	$V_{IC} = V_{ICRmin}$	25°C	70	80		65	80		50	80	dB	
$k_{SVR}$	Supply-voltage rejection ratio ( $\Delta V_{CC}/\Delta V_{IO}$ )		25°C	65	100		65	100		50	100	dB	
$V_{O1}/V_{O2}$	Crosstalk attenuation	$f = 1\text{ kHz to }20\text{ kHz}$	25°C	120			120			120		dB	
$I_O$	Output current	$V_{CC} = 15\text{ V}$ , $V_{ID} = 1\text{ V}$ , $V_O = 0$	25°C	-20	-30	-60	-20	-30	-60	-20	-30	-60	mA
			Full range	-10			-10			-10			
			25°C	10	20		10	20		10	20		
			Full range	5			5			5			
$I_{OS}$	Short-circuit output current	$V_{CC}$ at 5 V, $V_O = 0$ , GND at -5 V	25°C		±40	±60		±40	±60		±40	±60	mA
			Full range		0.7	1.2		0.7	1.2		0.7	1.2	
$I_{CC}$	Supply current (four amplifiers)	$V_O = 2.5\text{ V}$ , No load	Full range		0.7	1.2		0.7	1.2		0.7	1.2	mA
			Full range		1.4	3		1.4	3		1.4	3	

<sup>†</sup> All characteristics are measured under open-loop conditions with zero common-mode input voltage unless otherwise specified. MAX  $V_{CC}$  for testing purposes is 26 V for LM2902, 30 V for the others.

<sup>‡</sup> Full range is -55°C to 125°C for LM124, -25°C to 85°C for LM224, 0°C to 70°C for LM324, and -40°C to 125°C for LM2902.

<sup>§</sup> All typical values are at  $T_A = 25^\circ\text{C}$ .

LM124, LM124A, LM224, LM224A  
 LM324, LM324A, LM2902  
**QUADRUPLER OPERATIONAL AMPLIFIERS**  
 SLOS066H – SEPTEMBER 1975 – REVISED OCTOBER 2002

electrical characteristics at specified free-air temperature,  $V_{CC} = 5\text{ V}$  (unless otherwise noted) (continued)

PARAMETER	TEST CONDITIONS†	$T_A$ ‡	LM124A			LM224A			LM324A			UNIT
			MIN	TYP§	MAX	MIN	TYP§	MAX	MIN	TYP§	MAX	
$V_{IO}$ Input offset voltage	$V_{CC} = 5\text{ V to }30\text{ V}$ , $V_{IC} = V_{ICRmin}$ , $V_O = 1.4\text{ V}$	25°C			2		2	3		2	3	mV
		Full range			4			4			5	
$I_{IO}$ Input offset current	$V_O = 1.4\text{ V}$	25°C			10		2	15		2	30	nA
		Full range			30			30			75	
$I_{IB}$ Input bias current	$V_O = 1.4\text{ V}$	25°C			-50		-15	-80		-15	-100	nA
		Full range			-100			-100			-200	
$V_{ICR}$ Common-mode input voltage range	$V_{CC} = 30\text{ V}$	25°C	0 to $V_{CC}-1.5$		0 to $V_{CC}-1.5$		0 to $V_{CC}-1.5$		0 to $V_{CC}-1.5$		V	
		Full range	0 to $V_{CC}-2$		0 to $V_{CC}-2$		0 to $V_{CC}-2$		0 to $V_{CC}-2$			
$V_{OH}$ High-level output voltage	$R_L = 2\text{ k}\Omega$	25°C	$V_{CC}-1.5$		$V_{CC}-1.5$		$V_{CC}-1.5$		$V_{CC}-1.5$		V	
	$V_{CC} = 30\text{ V}$ , $R_L = 2\text{ k}\Omega$	Full range	26		26		26		26			
	$V_{CC} = 30\text{ V}$ , $R_L \geq 10\text{ k}\Omega$	Full range	27		27		28		27			28
$V_{OL}$ Low-level output voltage	$R_L \leq 10\text{ k}\Omega$	Full range			20		5		20		mV	
$A_{VD}$ Large-signal differential voltage amplification	$V_{CC} = 15\text{ V}$ , $V_O = 1\text{ V to }11\text{ V}$ , $R_L \geq 2\text{ k}\Omega$	Full range	25		25		15		15		V/mV	
CMRR Common-mode rejection ratio	$V_{IC} = V_{ICRmin}$	25°C	70		70		80		65		80	dB
$k_{SVR}$ Supply-voltage rejection ratio ( $\Delta V_{CC}/\Delta V_{IO}$ )		25°C	65		65		100		65		100	dB
$V_{O1}/V_{O2}$ Crosstalk attenuation	$f = 1\text{ kHz to }20\text{ kHz}$	25°C	120		120		120		120		dB	
$I_O$ Output current	$V_{CC} = 15\text{ V}$ , $V_{ID} = 1\text{ V}$ , $V_O = 0$	25°C	-20		-20		-30		-60		mA	
		Full range	-10		-10		-10		-10			
	$V_{CC} = 15\text{ V}$ , $V_{ID} = -1\text{ V}$ , $V_O = 15\text{ V}$	25°C	10		10		20		10		20	
		Full range	5		5		5		5			
$V_{ID} = -1\text{ V}$ , $V_O = 200\text{ mV}$	25°C	12		12		30		12		30	$\mu\text{A}$	
$I_{OS}$ Short-circuit output current	$V_{CC}$ at 5 V, GND at -5 V, $V_O = 0$	25°C	$\pm 40$ $\pm 60$		$\pm 40$ $\pm 60$		$\pm 40$ $\pm 60$		$\pm 40$ $\pm 60$		mA	
$I_{CC}$ Supply current (four amplifiers)	$V_O = 2.5\text{ V}$ , No load	Full range	0.7		1.2		0.7		1.2		mA	
	$V_{CC} = 30\text{ V}$ , $V_O = 15\text{ V}$ , No load	Full range	1.4		3		1.4		3			

† All characteristics are measured under open-loop conditions with zero common-mode input voltage unless otherwise specified.

‡ Full range is -55°C to 125°C for LM124A, -25°C to 85°C for LM224A, and 0°C to 70°C for LM324A.

§ All typical values are at  $T_A = 25^\circ\text{C}$ .

operating conditions,  $V_{CC} = \pm 15\text{ V}$ ,  $T_A = 25^\circ\text{C}$

PARAMETER		TEST CONDITIONS	TYP	UNIT
SR	Slew rate at unity gain	$R_L = 1\text{ M}\Omega$ , $C_L = 30\text{ pF}$ , $V_I = \pm 10\text{ V}$ (see Figure 1)	0.5	$\text{V}/\mu\text{s}$
$B_1$	Unity-gain bandwidth	$R_L = 1\text{ M}\Omega$ , $C_L = 20\text{ pF}$ (see Figure 1)	1.2	MHz
$V_n$	Equivalent input noise voltage	$R_S = 100\ \Omega$ , $V_I = 0\text{ V}$ , $f = 1\text{ kHz}$ (see Figure 2)	35	$\text{nV}/\sqrt{\text{Hz}}$

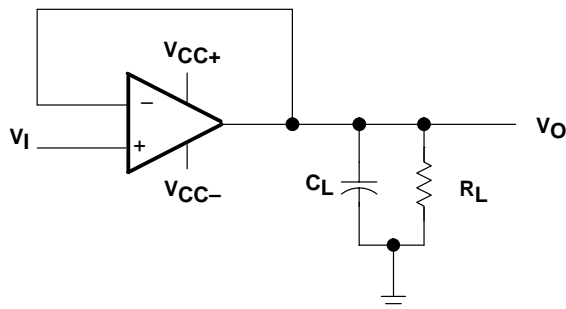


Figure 1. Unity-Gain Amplifier

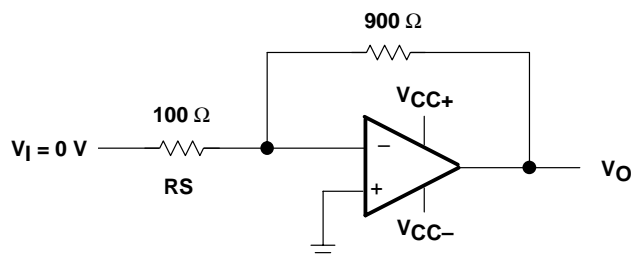


Figure 2. Noise-Test Circuit

## IMPORTANT NOTICE

Texas Instruments Incorporated and its subsidiaries (TI) reserve the right to make corrections, modifications, enhancements, improvements, and other changes to its products and services at any time and to discontinue any product or service without notice. Customers should obtain the latest relevant information before placing orders and should verify that such information is current and complete. All products are sold subject to TI's terms and conditions of sale supplied at the time of order acknowledgment.

TI warrants performance of its hardware products to the specifications applicable at the time of sale in accordance with TI's standard warranty. Testing and other quality control techniques are used to the extent TI deems necessary to support this warranty. Except where mandated by government requirements, testing of all parameters of each product is not necessarily performed.

TI assumes no liability for applications assistance or customer product design. Customers are responsible for their products and applications using TI components. To minimize the risks associated with customer products and applications, customers should provide adequate design and operating safeguards.

TI does not warrant or represent that any license, either express or implied, is granted under any TI patent right, copyright, mask work right, or other TI intellectual property right relating to any combination, machine, or process in which TI products or services are used. Information published by TI regarding third-party products or services does not constitute a license from TI to use such products or services or a warranty or endorsement thereof. Use of such information may require a license from a third party under the patents or other intellectual property of the third party, or a license from TI under the patents or other intellectual property of TI.

Reproduction of information in TI data books or data sheets is permissible only if reproduction is without alteration and is accompanied by all associated warranties, conditions, limitations, and notices. Reproduction of this information with alteration is an unfair and deceptive business practice. TI is not responsible or liable for such altered documentation.

Resale of TI products or services with statements different from or beyond the parameters stated by TI for that product or service voids all express and any implied warranties for the associated TI product or service and is an unfair and deceptive business practice. TI is not responsible or liable for any such statements.

### Mailing Address:

Texas Instruments  
Post Office Box 655303  
Dallas, Texas 75265