

# Delta Datasheet

## Technical Data on Delta Microwave Products



## GPS Low Noise Amplifier

### Model **L5002**

#### **Features:**

- Low Noise
- High Performance
- Low Cost
- Large Voltage operation

#### Description:

The L5002 GPS Band Low Noise Amplifier was developed for high performance, low noise applications.

The LNA design uses a three stage discrete amplifier design for ruggedness, and low noise figure.

The Housing is machined from solid 6061 T-6 aluminum and chem film coated per MIL standards (nickel is never allowed in any of our plating processes). The circuit board is made from FR4 fiberglass and the entire assembly is conformal coated after tuning for optimum longevity. Delta Microwave only uses the highest quality materials for the construction of this LNA.

For more information on custom GPS products, Delta Microwave can be contacted via the Internet at <http://www.deltamicrowave.com>. Or you can call or fax your request Delta Microwave, or contact one of our sales representatives in your area.

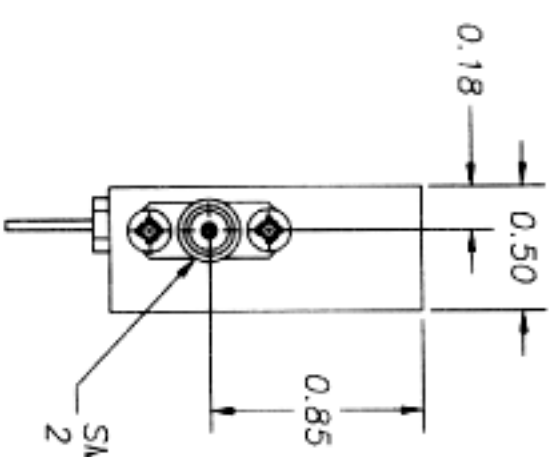
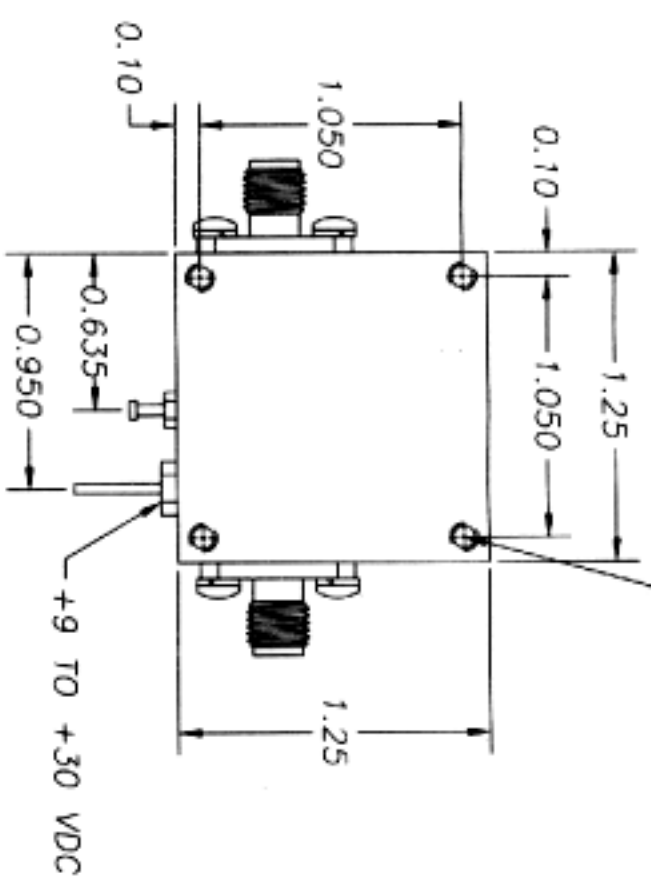
#### Specifications:

Passband .....	1200 to 1600 MHz
Gain .....	33 ±3 dB
Noise Figure .....	1.0 dB MAX (0.6 Typ.)
VSWR.....	2:1 dB MAX (1.5:1 Typ.)
Power Handling.....	+ 12 dBm
Connectors.....	SMAF
Operating Temperature.....	-50 to +70°C
Voltage .....	+7 to +30 VDC @ 75 mA

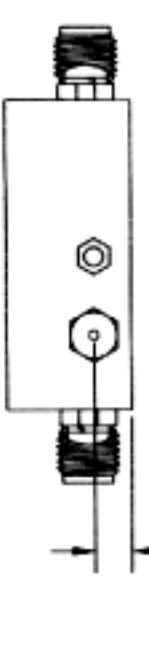


THIS DOCUMENT CONTAINS INFORMATION PROPRIETARY TO DELTA MICROWAVE. ANY REPRODUCTION OF THIS DOCUMENT WITHOUT WRITTEN PERMISSION IS EXPRESSLY PROHIBITED.

4-40 UNC-2B X .25 DEEP  
4 PLACES FAR SIDE



SMA FEMALE CONNECTOR  
2 PLACES



ZONE	REV	DESCRIPTION	DATE	APPROVED
	A	RELEASED	12/17/98	

REV	DATE	DESCRIPTION	APPROVED

- MARKING: USING BLACK WARMONK INK TO INCLUDE:  
DELTA MICROWAVE MODEL NO. SERIAL NO.,  
CODE IDENT. NO. 51719 AND DATE CODE
- FINISH: HAZE GRAY EPOXY POLYAMIDE TOPCOAT  
PER MIL-P-24441B TYP. 1  
(AS) COLOR NO. 26270, FORMULA 151  
PER MIL-P-24441/1C, QPL 24441-103  
USING EPOXY POLYAMIDE PRIMER  
PER MIL-P-24441B TYP. 1 24272 GREEN  
FORMULA 150 PER MIL-P-24441/1C, QPL 24441-103

NOTES:

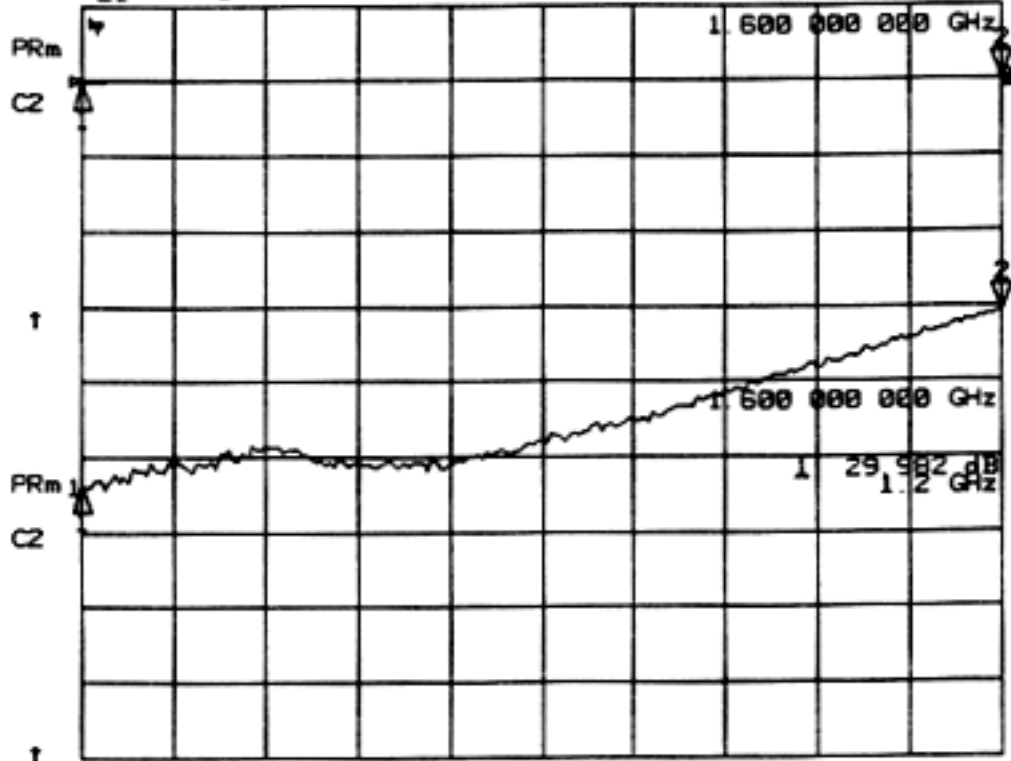
QUANTITY ORDERED		PARTS LIST		SCALE 2/1	
MATERIAL		APPROVALS		DELTA MICROWAVE	
DATE		DATE		1301 WASHINGTON DR.	
DRAWN		CHECKED		DOWNEY CALIFORNIA 92503	
FINISH		APPROVED		OUTLINE	
L5002		SCALE 2/1		CODE IDENT NO. 51719	
DO NOT SCALE DRAWING		DRAWING NO. L5002		SHEET 1 OF 1	

1 Jul 1998 11:07:49

CH1 S<sub>11</sub> log MAG  
CH2 S<sub>21</sub> log MAG

5 dB/ REF 0 dB  
10 dB/ REF 30 dB

2 -15.477 dB  
2 30.071 dB



START 1.200 000 000 GHz STOP 1.600 000 000 GHz