

Negative Voltage Hot Swap Controller with Active Power Filter

Test Figures for IXHQ100

The following diagrams are test circuits for various pins and parameters used within the general specification sheet. The electrical characteristics shown on page 2 and 3 of the general specification sheet were obtained from these tests.

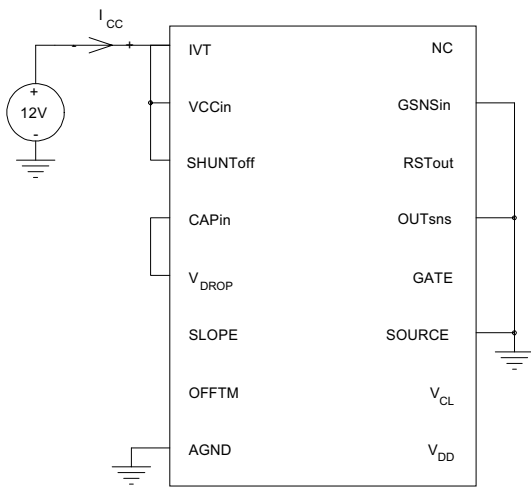


Fig. T-1 I_{CC} Test Circuit

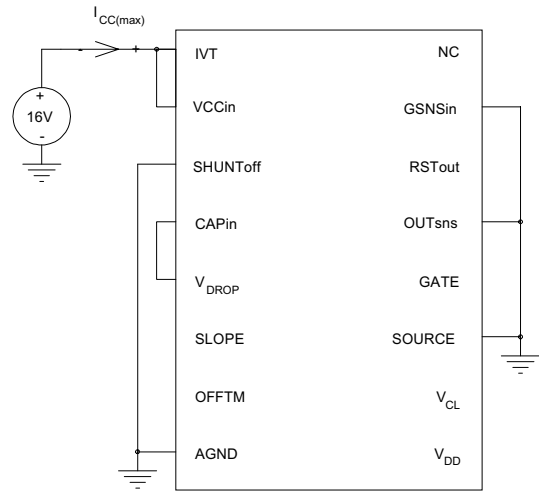


Fig. T-2 $I_{CC(max)}$ Test Circuit

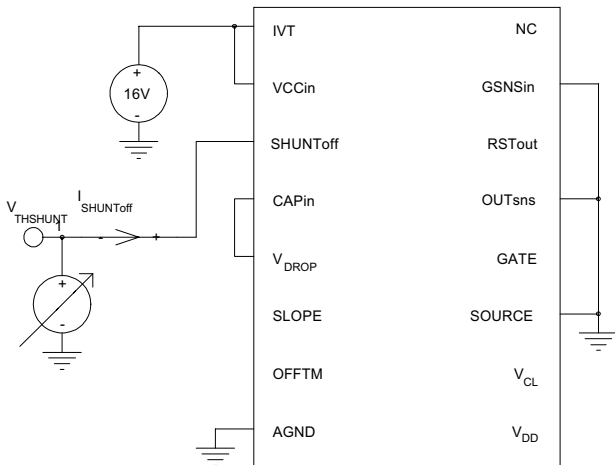


Fig. T-3 $V_{THSHUNToff}$ Test Circuit

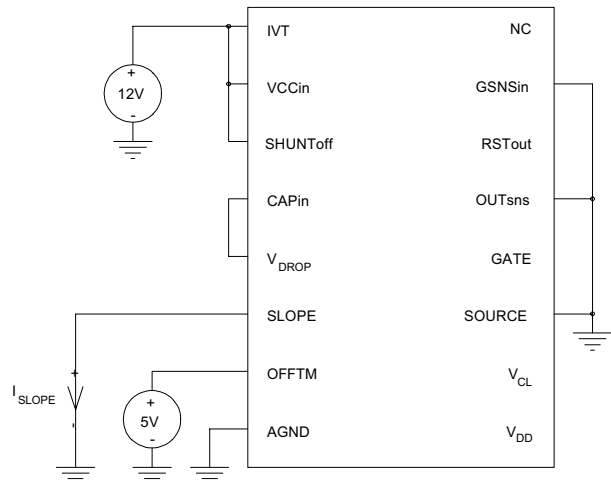


Fig. T-4 I_{SLOPE} Test Circuit

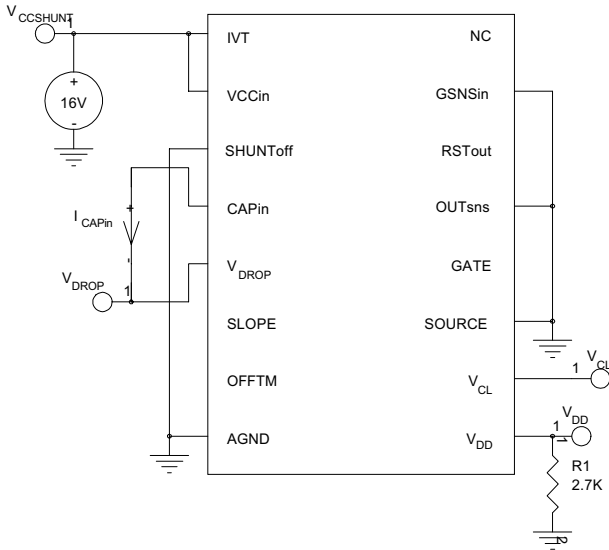


Fig. T-5 $V_{CCSHUNT}$, I_{CAPIN} , V_{DROP} , V_{CL} , V_{DD} Test Circuit

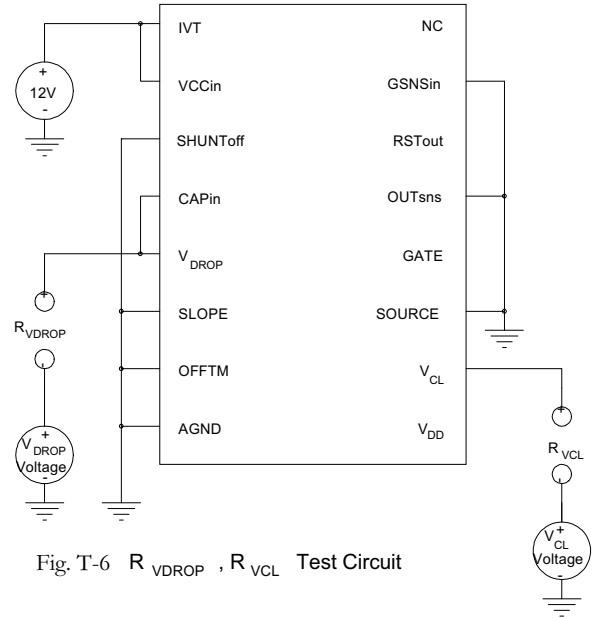


Fig. T-6 R_{VDROP} , R_{VCL} Test Circuit

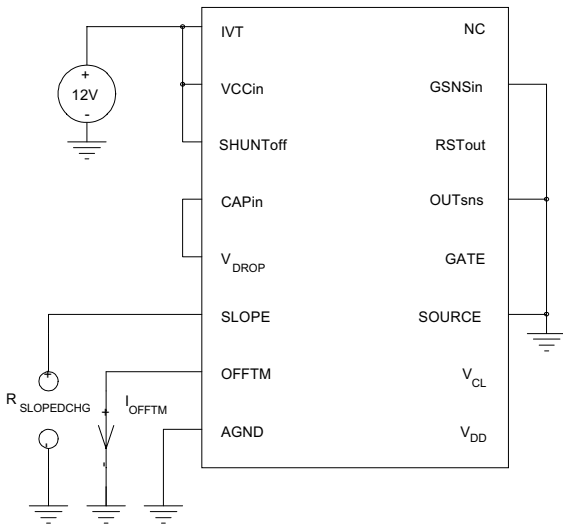


Fig. T-7 $R_{SLOPEDCHG}$, I_{OFFTM} Test Circuit

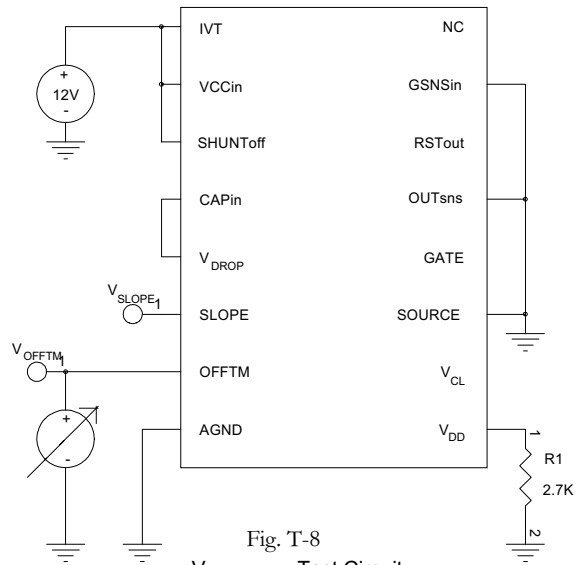


Fig. T-8 $V_{THOFFTM}$ Test Circuit

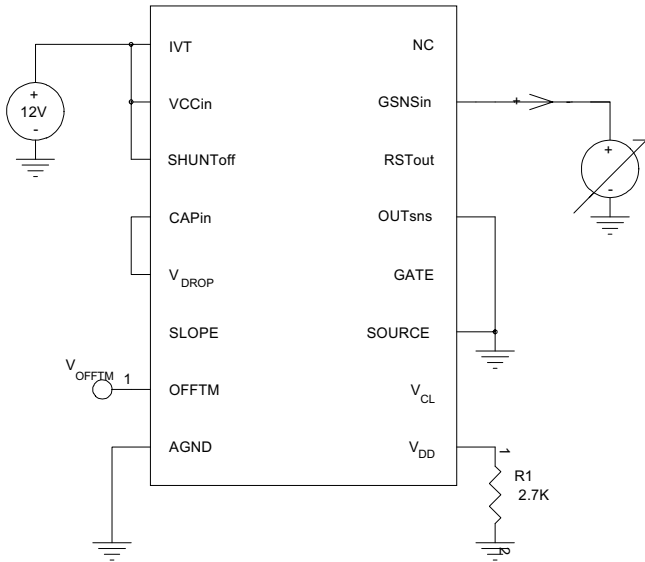


Fig. T-9 $V_{THGSNSin}$, I_{GSNS} Test Circuit

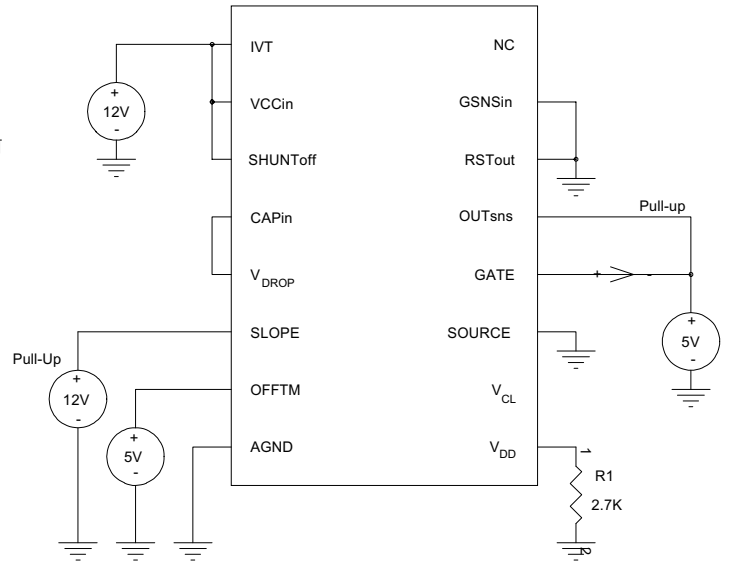


Fig. T-10 I_{GATE} Pull-Up Test Circuit

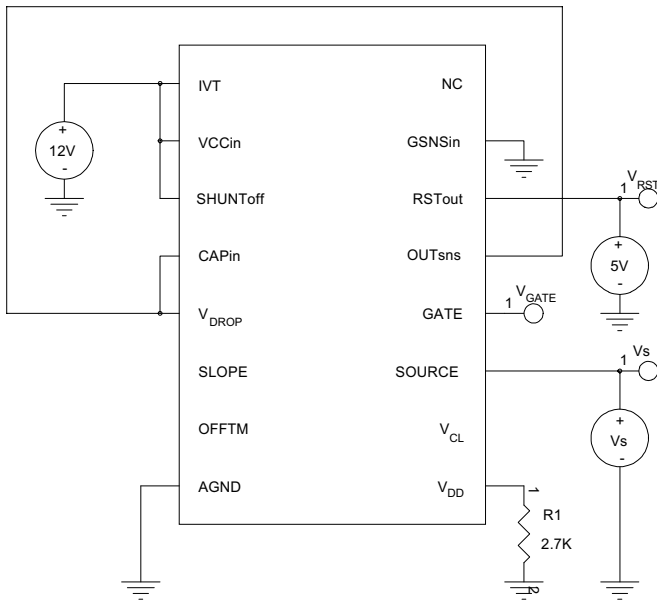


Fig. T-11 t_{OFFFTM} , t_{OC} & $V_{GATE(max)}$ Test Circuit

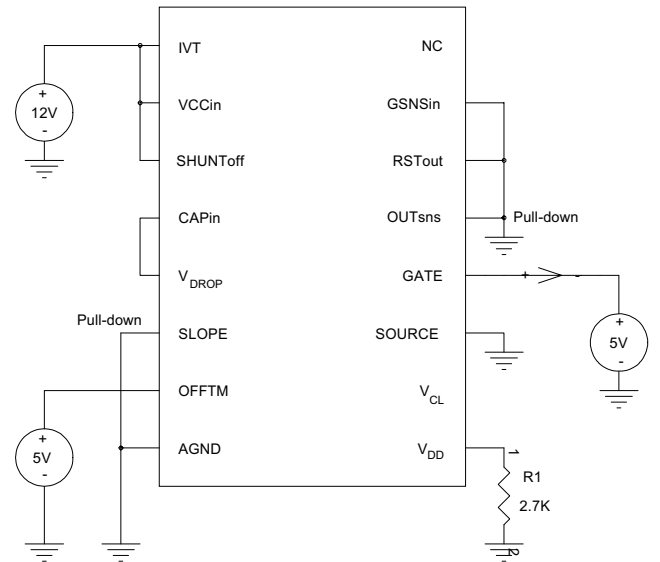


Fig. T-12 I_{GATE} Pull-Down Test Circuit

Test Circuit for Noise Attenuation

