

## CERAMIC SPEAKER DRIVE AMPLIFIER

### FEATURES

- Wide Operating Voltage Range ( $V_{CC} = 1.8$  to  $5.5$  V)
- Very Low Supply Current ( $I_{CC} = 1.8$  mA @  $V_{CC} = 2.4$  V)
- Very Low Standby Current ( $I_{STBY} = 0.1$   $\mu$ A)
- Miniature Package (SOT23L-6)
- Very Large Output Voltage ( $V_{OUT(MAX)} = 1.7$  Vrms @  $V_{CC} = 2.4$  V,  $R_L = 620$   $\Omega$ )
- Very Small Total Harmonic Distortion (THD = 0.1 % @  $V_{OUT} = 0.8$  Vrms)
- Needs No Output Coupling Capacitor

### APPLICATIONS

- Speaker Driver for Portable Equipment
- Headphone Driver
- Toys and Games

### DESCRIPTION

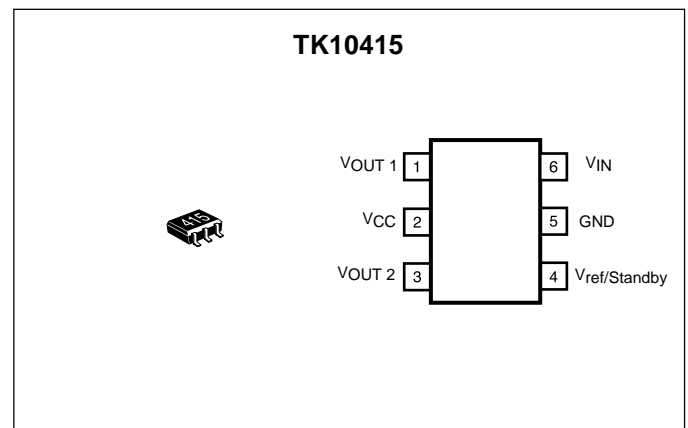
The TK10415M is a very low operating voltage and current audio power amplifier to drive ceramic speakers.

The TK10415M drives the speaker directly, because the device has a differential output that does not need an output coupling capacitor.

The voltage gain is adjustable by two external resistors.

The TK10415M is available in the very small SOT23L-6 surface mount package.

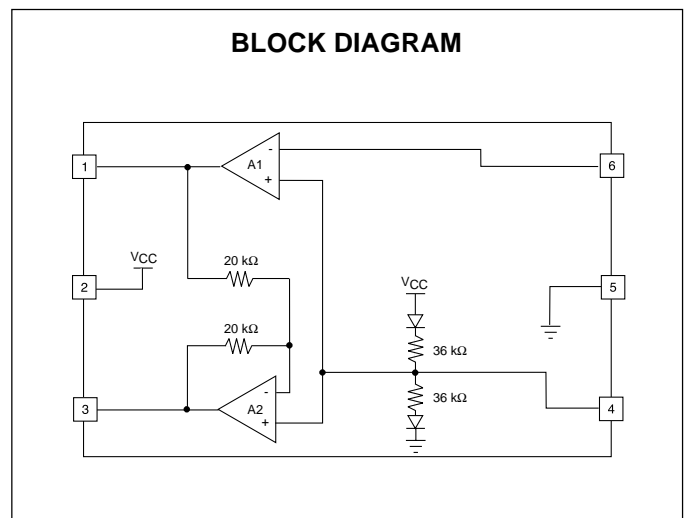
The small package in conjunction with few external components saves printed circuit board space.



**ORDERING INFORMATION**

TK10415M Tape/Reel Code

TAPE/REEL CODE  
TL: Tape Left



# TK10415

## ABSOLUTE MAXIMUM RATINGS

Supply Voltage ..... 6 V      Storage Temperature Range ..... -55 to +150 °C  
 Operating Voltage ..... 1.8 to 5.5 V      Operating Temperature Range ..... -20 to +70 °C  
 Power Dissipation (Notes 1 and 2)..... 400 mW

## TK10415 ELECTRICAL CHARACTERISTICS

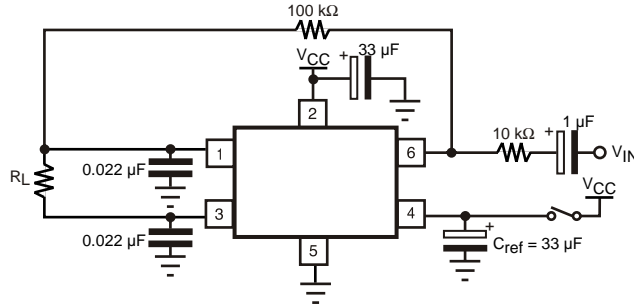
Test Conditions:  $V_{CC} = 2.4\text{ V}$ ,  $f = 1.0\text{ kHz}$ ,  $R_L = 620\ \Omega$ ,  $T_A = 25\text{ °C}$ , unless otherwise specified.

SYMBOL	PARAMETER	TEST CONDITIONS	MIN	TYP	MAX	UNITS
$I_{CC}$	Supply Current	$V_{CC} = 2.4\text{ V}$ , $R_L = \infty$		1.8	3.0	mA
		$V_{CC} = 5.0\text{ V}$ , $R_L = \infty$		2.2	3.5	mA
$I_{STBY}$	Standby Supply Current	$V_{CC} = 2.4\text{ V} = \text{Pin 4}$ , $R_L = \infty$		0.0	2.0	$\mu\text{A}$
$I_{CONT}$	Control Terminal Current	Pin 4 Sink Current, $V_{\text{Pin4}} = V_{CC}$		53.0	90.0	$\mu\text{A}$
$V_{THS}$	Standby Threshold Voltage	Pin 4	$V_{CC} - 0.4$			V
$G_{VO}$	Open Circuit Voltage Gain	AMP1		60.0		dB
$G_V$	Voltage Gain	AMP1	17.0	20.0	23.0	dB
		AMP2	-3.0	0.0	3.0	dB
		AMP1 + AMP2	23.0	26.0	29.0	dB
THD	Total Harmonic Distortion	$V_{CC} = 2.4\text{ V}$ , $V_{OUT} = 0.8\text{ V}_{rms}$		0.1	1.0	%
		$V_{CC} = 5.0\text{ V}$ , $V_{OUT} = 2.0\text{ V}_{rms}$		0.1	1.0	%
$V_{OUT(MAX)}$	Maximum Output Voltage	$V_{CC} = 2.4\text{ V}$ , THD $\leq 10\%$	1.2	1.7		$V_{rms}$
		$V_{CC} = 5.0\text{ V}$ , THD $\leq 10\%$	2.6	3.7		$V_{rms}$
RR	Ripple Rejection Ratio	$C_{ref} = 33\ \mu\text{F}$		38.0		dB
$V_{OUT(DC)}$	DC Voltage at Output Terminal	$V_{OUT1}$	1.00	1.20	1.40	V
		$V_{OUT2}$	1.00	1.20	1.40	V
$V_{OUT(OS)}$	Output Offset Voltage	$V_{OUT2} - V_{OUT1}$	-30.0	0.0	30.0	mV
$R_L$	Load Resistance		100	620		$\Omega$

Note 1: Power dissipation is 400 mW in free air. Derate at 3.2 mW/°C for operation above 25 °C.

Note 2: Power dissipation is 600 mW when mounted. Derate at 4.8 mW/°C for operation above 25 °C.

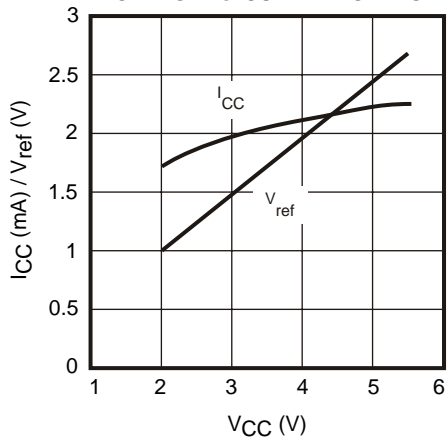
TEST CIRCUIT



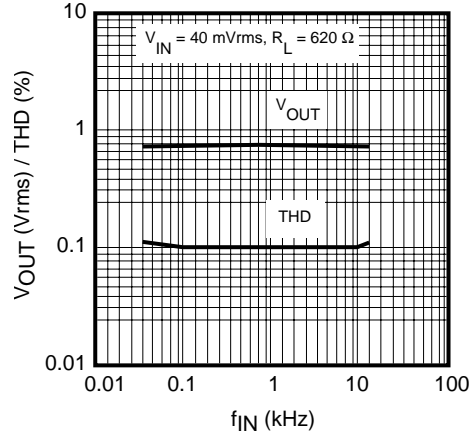
TYPICAL PERFORMANCE CHARACTERISTICS

$V_{CC} = 5\text{ V}$ ,  $T_A = 25\text{ }^\circ\text{C}$ , unless otherwise specified.

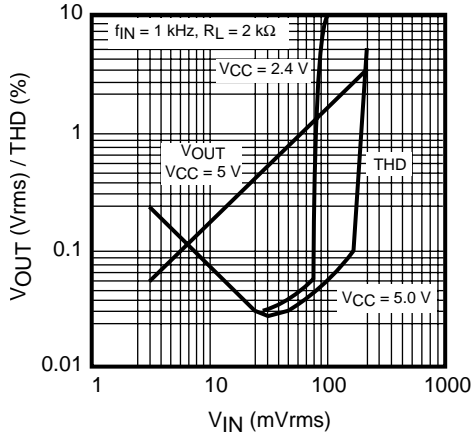
SUPPLY CURRENT and REFERENCE VOLTAGE vs. SUPPLY VOLTAGE



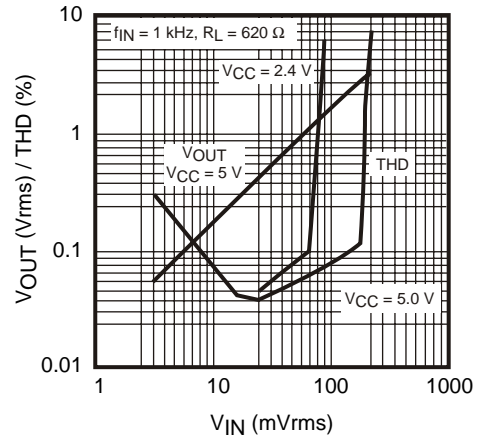
OUTPUT VOLTAGE AND DISTORTION vs. FREQUENCY



OUTPUT VOLTAGE AND DISTORTION vs. INPUT VOLTAGE 1

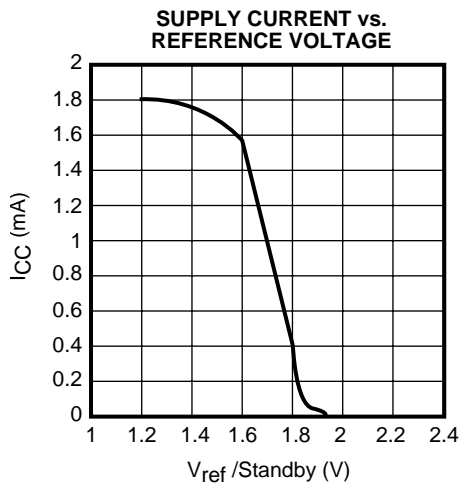
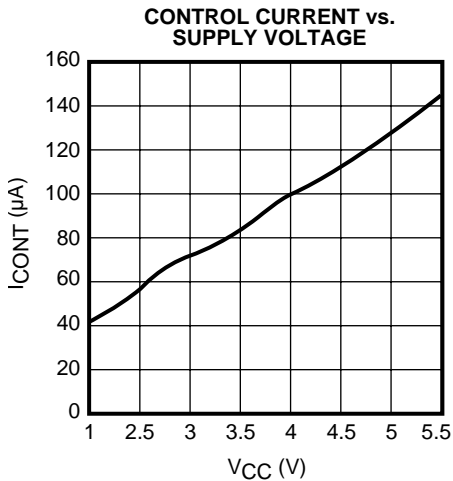
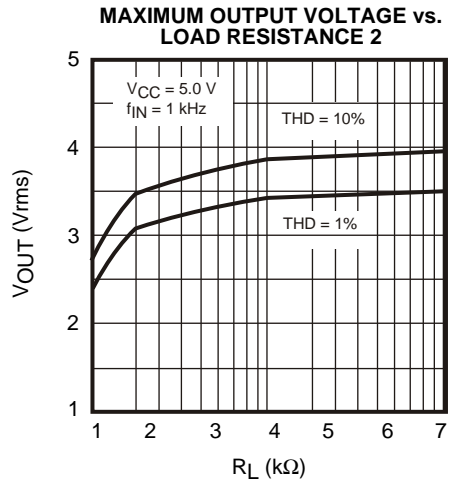
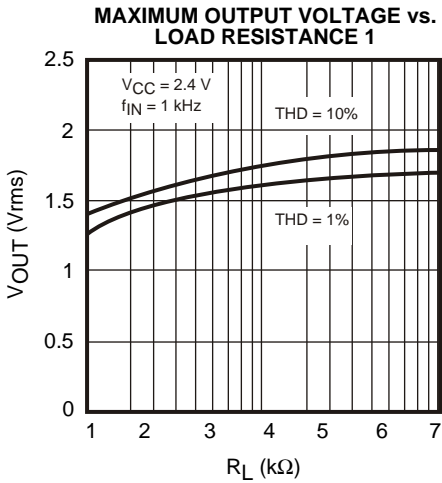
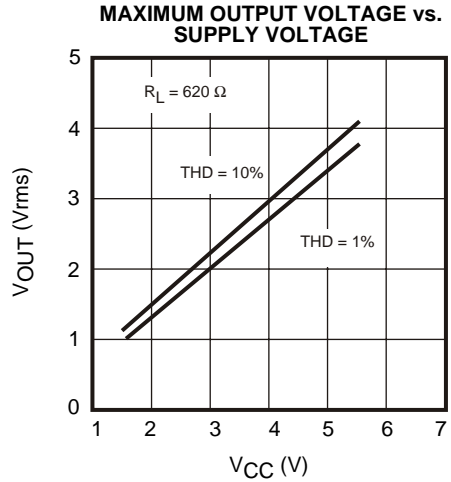
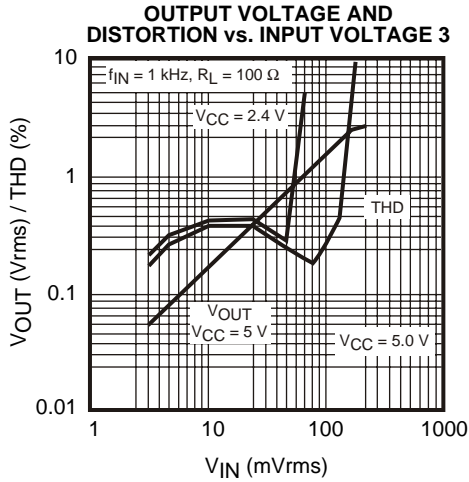


OUTPUT VOLTAGE AND DISTORTION vs. INPUT VOLTAGE 2

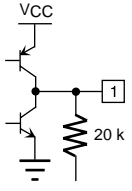
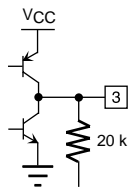
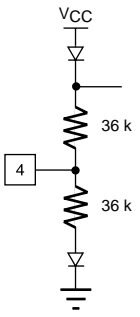
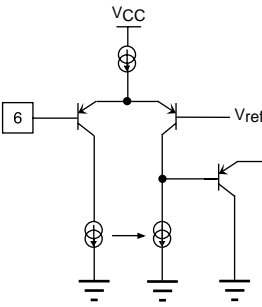


**TYPICAL PERFORMANCE CHARACTERISTICS (CONT.)**

$V_{CC} = 5\text{ V}$ ,  $T_A = 25\text{ }^\circ\text{C}$ , unless otherwise specified.



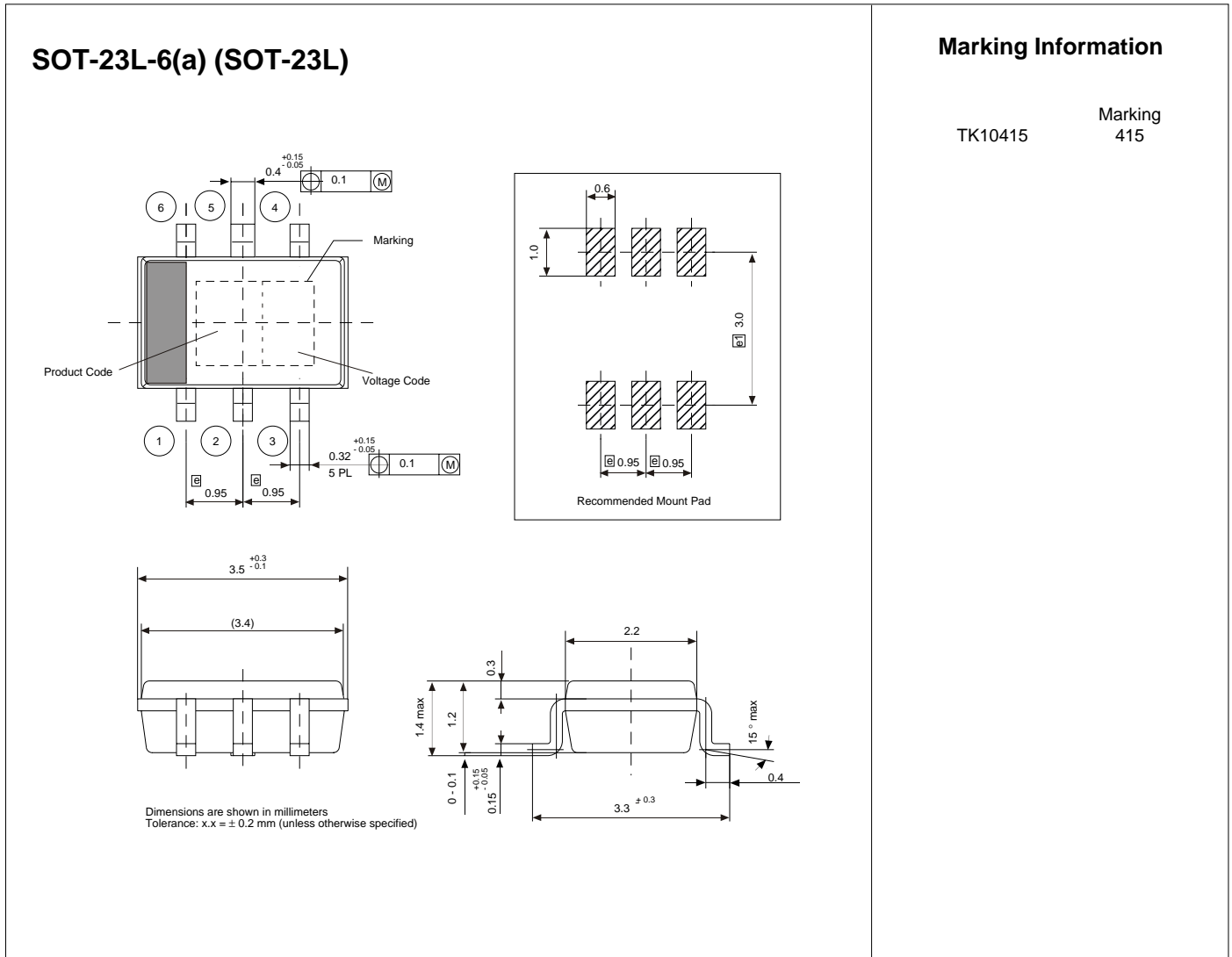
## PIN FUNCTION DESCRIPTIONS

PIN NO.	SYMBOL	TERMINAL VOLTAGE (V)	INTERNAL EQUIVALENT CIRCUIT	DESCRIPTION
1	$V_{OUT1}$	$1/2 V_{CC}$		A1 amplifier output terminal
2	$V_{CC}$	$V_{CC}$	—	Supply input terminal
3	$V_{OUT2}$	$1/2 V_{CC}$		A2 amplifier output terminal
4	$V_{ref}$	$1/2 V_{CC}$		Reference voltage terminal. When this terminal is $V_{CC}$ , the device is in the standby mode and the supply current is down to under 0.1 $\mu$ A.
5	GND	0 V		Ground terminal.
6	$V_{IN}$	$1/2 V_{CC}$		A1 amplifier input terminal.

**NOTES**

**NOTES**

PACKAGE OUTLINE



Toko America, Inc. Headquarters  
1250 Feehanville Drive, Mount Prospect, Illinois 60056  
Tel: (847) 297-0070 Fax: (847) 699-7864

TOKO AMERICA REGIONAL OFFICES

Midwest Regional Office  
Toko America, Inc.  
1250 Feehanville Drive  
Mount Prospect, IL 60056  
Tel: (847) 297-0070  
Fax: (847) 699-7864

Western Regional Office  
Toko America, Inc.  
2480 North First Street, Suite 260  
San Jose, CA 95131  
Tel: (408) 432-8281  
Fax: (408) 943-9790

Eastern Regional Office  
Toko America, Inc.  
107 Mill Plain Road  
Danbury, CT 06811  
Tel: (203) 748-6871  
Fax: (203) 797-1223

Semiconductor Technical Support  
Toko Design Center  
4755 Forge Road  
Colorado Springs, CO 80907  
Tel: (719) 528-2200  
Fax: (719) 528-2375

Visit our Internet site at <http://www.tokoam.com>

The information furnished by TOKO, Inc. is believed to be accurate and reliable. However, TOKO reserves the right to make changes or improvements in the design, specification or manufacture of its products without further notice. TOKO does not assume any liability arising from the application or use of any product or circuit described herein, nor for any infringements of patents or other rights of third parties which may result from the use of its products. No license is granted by implication or otherwise under any patent or patent rights of TOKO, Inc.