

LC016 Dual-Output Series Power Modules: 18 Vdc to 36 Vdc Inputs; 16 W



The LC016 Dual-Output Series Power Modules use advanced, surface-mount technology and deliver high-quality, compact, dc-dc conversion at an economical price.

Features

- Low profile: 9.91 mm (0.390 in.) with standoffs, 9.53 mm (0.375 in.) with standoffs recessed
- Wide input voltage range: 18 Vdc to 36 Vdc
- Output current limiting, unlimited duration
- Short-circuit protection
- Output overvoltage clamp
- Input-to-output isolation: 850 V
- Operating case temperature range: -40 °C to +100 °C
- Remote on/off
- Output voltage adjust: 90% to 110% of $V_{O, nom}$
- *UL**1950 Recognized, *CSA*† 22.2-234 Certified, IEC950, EN60950, and VDE0805 Licensed
- Within FCC and VDE Class A radiated limits

Options

- Choice of on/off configuration
- Case ground pin
- Synchronization
- Short pin: 2.79 mm ± 0.25 mm (0.110 in. ± 0.010 in.)

Description

The LC016 Dual-Output Series Power Modules are low-profile, dc-dc converters that operate over an input voltage range of 18 Vdc to 36 Vdc and provide two precisely regulated outputs. The outputs are isolated from the inputs, allowing versatile polarity configurations and grounding connections. The modules have a maximum power rating of 16 W at a typical full-load efficiency of >80%.

The power modules feature remote on/off and output voltage adjustment of 90% to 110% of the nominal output voltages. Built-in filtering for both input and output minimizes the need for external filtering.

* *UL* is a registered trademark of Underwriters Laboratories, Inc.

† *CSA* is a registered trademark of Canadian Standards Association.

Absolute Maximum Ratings

Stresses in excess of the absolute maximum ratings can cause permanent damage to the device. These are absolute stress ratings only. Functional operation of the device is not implied at these or any other conditions in excess of those given in the operations sections of the data sheet. Exposure to absolute maximum ratings for extended periods can adversely affect device reliability.

Parameter	Symbol	Min	Max	Unit
Input Voltage				
Continuous	V_I	0	40	Vdc
100 ms Transient	V_I	0	50	V
Operating Case Temperature	T_C	-40	100	°C
Storage Temperature	T_{stg}	-40	120	°C
I/O Isolation Voltage	—	—	850	Vdc

Electrical Specifications

Unless otherwise indicated, specifications apply over all operating input voltage, resistive load, and temperature conditions.

Table 1. Input Specifications

Parameter	Symbol	Min	Typ	Max	Unit
Operating Input Voltage	V_I	18	28	36	Vdc
Maximum Input Current (See Figure 1.) ($V_I = 0$ V to $V_{I, max}$; $I_O = I_{O, max}$)	$I_{I, max}$	—	—	1.8	A
Inrush Transient	i^2t	—	—	0.1	A ² s
Input Reflected-ripple Current (50 Hz to 20 MHz; 12 μ H source impedance; $T_A = 25$ °C; see Figure 7.)	I_i	—	3	—	mAp-p
Input Ripple Rejection (100 Hz to 120 Hz)	—	—	60	—	dB

Fusing Considerations

CAUTION: This power module is not internally fused. An input line fuse must always be used.

This encapsulated power module can be used in a wide variety of applications, ranging from simple stand-alone operation to an integrated part of a sophisticated power architecture. To preserve maximum flexibility, internal fusing is not included; however, to achieve maximum safety and system protection, always use an input line fuse. The safety agencies require a normal-blow, dc fuse with a maximum rating of 5 A (see Safety Considerations section). Based on the information provided in this data sheet on inrush energy and maximum dc input current, the same type of fuse with a lower rating can be used. Refer to the fuse manufacturer's data for further information.

Electrical Specifications (continued)

Table 2. Output Specifications

Parameter	Device	Symbol	Min	Typ	Max	Unit
Output Voltage (Over all line, load, and temperature conditions until end of life; see Figure 9.)	LC016AJ	V _{O1}	4.575	—	5.425	Vdc
		V _{O2}	-4.575	—	-5.425	Vdc
	LC016BK	V _{O1}	10.98	—	13.02	Vdc
		V _{O2}	-10.98	—	-13.02	Vdc
	LC016CL	V _{O1}	13.72	—	16.28	Vdc
		V _{O2}	-13.72	—	-16.28	Vdc
Output Voltage Set Point (V _I = 28 V; I _O = I _{O, max} ; T _C = 25 °C)	LC016AJ	V _{O1, set}	4.905	5	5.095	Vdc
		V _{O2, set}	-4.905	-5	-5.095	Vdc
	LC016BK	V _{O1, set}	11.76	12	12.24	Vdc
		V _{O2, set}	-11.76	-12	-12.24	Vdc
	LC016CL	V _{O1, set}	14.70	15	15.30	Vdc
		V _{O2, set}	-14.70	-15	-15.30	Vdc
Output Regulation: Line (V _I = 18 V to 36 V) Load (I _{O1} = I _{O2} = I _{O, min} to I _{O, max}) Cross (I _{O2} = I _{O, min} to I _{O, max} , I _{O1} = I _{O, max}) Temperature (T _C = -40 °C to +100 °C)	All	—	—	0.2	0.5	%V _O
	All	—	—	0.5	1.0	%V _O
	All	—	—	4.0	—	%V _O
	All	—	—	0.5	1.0	%V _O
Output Ripple and Noise (See Figure 8.): RMS Peak-to-peak (5 Hz to 20 MHz)	LC016AJ	—	—	—	20	mVrms
	LC016BK, CL	—	—	—	50	mVrms
	LC016AJ	—	—	50	100	mVp-p
	LC016BK, CL	—	—	75	150	mVp-p
Output Current (At I _O < I _{O, min} , the modules may exceed output ripple and regulation specifications.)	LC016AJ	I _{O1}	0.16	—	1.6	A
		I _{O2}	-0.16	—	-1.6	A
	LC016BK	I _{O1}	0.07	—	0.67	A
		I _{O2}	-0.07	—	-0.67	A
	LC016CL	I _{O1}	0.05	—	0.53	A
		I _{O2}	-0.05	—	-0.53	A
Output Current-limit Inception (V _{O1, 2} = 0.9 x V _{O, set}) (See Figure 2.)	All	I _{O1, 2}	103	130	160	%I _{O, max}
Output Short-circuit Current (V _{O1, 2} = 250 mV)	All	I _{O1, 2}	—	135	220	%I _{O, max}
Efficiency (V _I = V _{I, nom} ; I _{O1, 2} = I _{O, max} ; T _C = 25 °C; see Figures 3 and 9.)	LC016AJ	η	74	77	—	%
	LC016BK	η	75	78	—	%
	LC016CL	η	75	78	—	%

Electrical Specifications (continued)

Table 2. Output Specifications (continued)

Parameter	Device	Symbol	Min	Typ	Max	Unit
Dynamic Response (I_{O1} or $I_{O2} = I_{O, \max}$, $\dot{I}_O/\dot{I}_T = 1 \text{ A}/10 \mu\text{s}$, $V_I = V_{I, \text{nom}}$, $T_C = 25 \text{ }^\circ\text{C}$; see Figures 4 and 5.)						
Load Change from $I_O = 50\%$ to 75% of $I_{O, \max}$:						
Peak Deviation	All	—	—	1	—	$\%V_{O, \text{set}}$
Settling Time ($V_O < 10\%$ peak deviation)	All	—	—	0.5	—	ms
Load Change from $I_O = 50\%$ to 25% of $I_{O, \max}$:						
Peak Deviation	All	—	—	1	—	$\%V_{O, \text{set}}$
Settling Time ($V_O < 10\%$ peak deviation)	All	—	—	0.5	—	ms

Table 3. Isolation Specifications

Parameter	Min	Typ	Max	Unit
Isolation Capacitance	—	0.002	—	μF
Isolation Resistance	10	—	—	$M\frac{3}{4}$

General Specifications

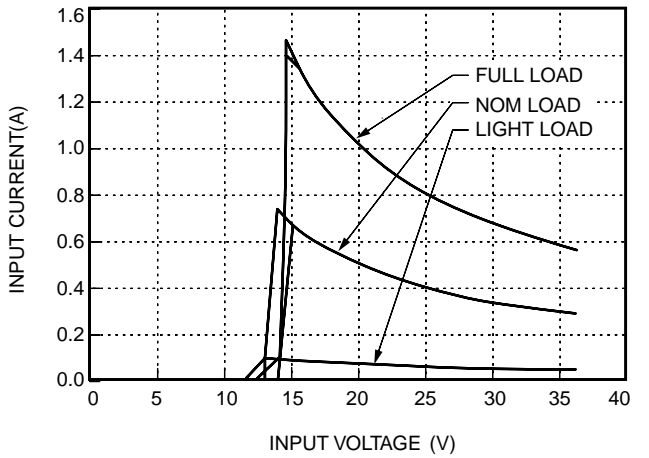
Parameter	Device	Min	Typ	Max	Unit
Calculated MTBF ($I_O = 80\%$ of $I_{O, \max}$; $T_C = 40 \text{ }^\circ\text{C}$)			4,800,000		hours
Weight	—	—	—	54 (1.9)	g (oz.)

Feature Specifications

Unless otherwise indicated, specifications apply over all operating input voltage, resistive load, and temperature conditions. See Feature Descriptions and Design Considerations for further information.

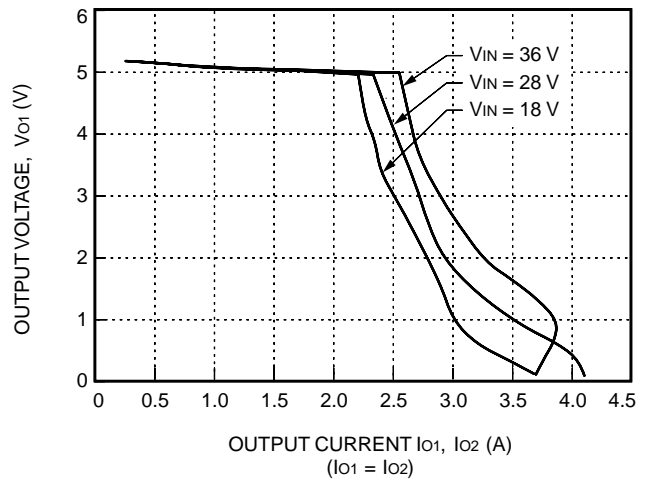
Parameter	Device	Symbol	Min	Typ	Max	Unit
Remote On/Off ($V_I = 0\text{ V}$ to 36 V ; open collector or equivalent compatible; signal referenced to $V_I(-)$ terminal. See Figure 10 and Feature Descriptions.):						
LC016xx Positive Logic						
Logic Low—Module Off						
Logic High—Module On						
LC016xx1 Negative Logic						
Logic Low—Module On						
Logic High—Module Off						
Module Specifications:						
On/Off Current—Logic Low	All	$I_{on/off}$	—	—	1.0	mA
On/Off Voltage:						
Logic Low	All	$V_{on/off}$	0	—	1.2	V
Logic High ($I_{on/off} = 0$)	All	$V_{on/off}$	—	—	6	V
Open Collector Switch Specifications:						
Leakage Current During Logic High ($V_{on/off} = 6\text{ V}$)	All	$I_{on/off}$	—	—	50	μA
Output Low Voltage During Logic Low ($I_{on/off} = 1\text{ mA}$)	All	$V_{on/off}$	—	—	1.2	V
Turn-on Time ($I_o = 80\%$ of $I_{o, max}$; $T_C = 40\text{ }^\circ\text{C}$ V_o within $\pm 1\%$ of steady state)	All	—	—	—	5.0	ms
Output Voltage Overshoot	All	—	—	0	5.0	%
Output Voltage Set-Point Adjustment Range	All	—	90	—	110	% $V_{O, nom}$
Output Overvoltage Clamp	LC016AJ	$V_{O1, clamp}$	5.6	—	7.0	V
		$V_{O2, clamp}$	-5.6	—	-7.0	V
	LC016BK	$V_{O1, clamp}$	13.2	—	16.5	V
		$V_{O2, clamp}$	-13.2	—	-16.5	V
	LC016CL	$V_{O1, clamp}$	16.5	—	19.0	V
		$V_{O2, clamp}$	-16.5	—	-19.0	V

Characteristic Curves



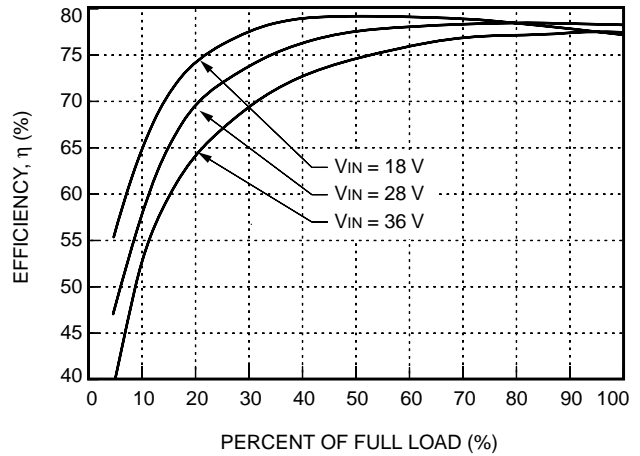
8-1367(C)

Figure 1. LC016AJ Typical Input Characteristics, $T_A = 25^\circ\text{C}$



8-1368(C)

Figure 2. LC016AJ Typical Output Characteristics, $T_A = 25^\circ\text{C}$



8-1369(C)

Figure 3. LC016AJ Typical Converter Efficiency vs. Output Current, $T_A = 25^\circ\text{C}$

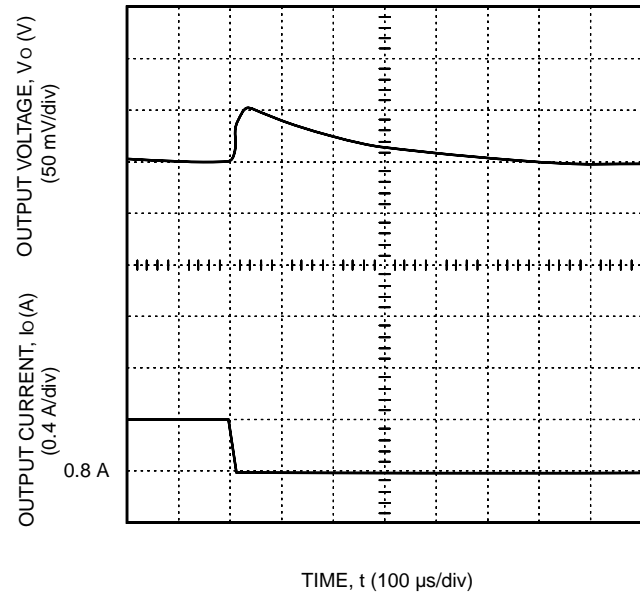


Figure 4. LC016AJ Typical Output Voltage for a Step Load Change from 50% to 25%

Characteristic Curves (continued)

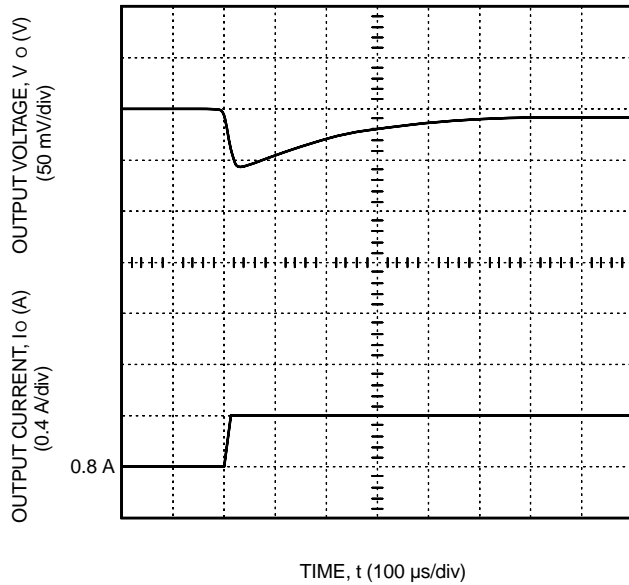


Figure 5. LC016AJ Typical Output Voltage for a Step Load Change from 50% to 75%

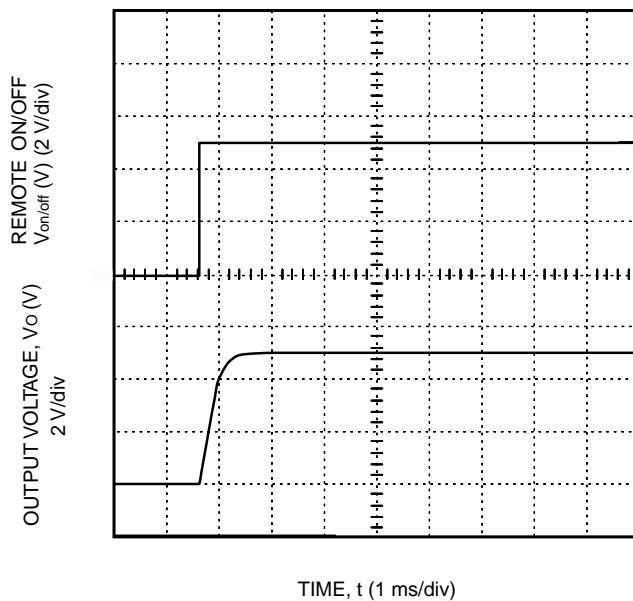
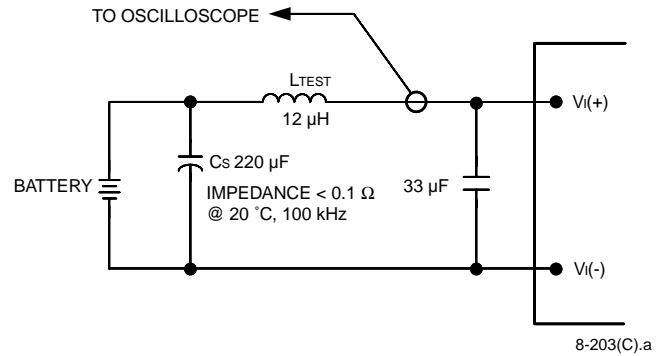


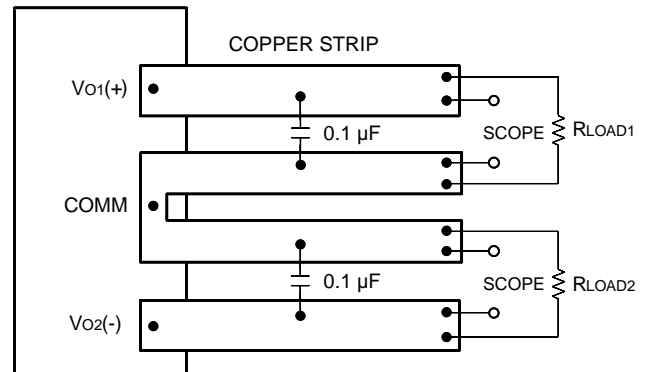
Figure 6. LC016AJ Typical Output Voltage Start-Up when Signal Applied to Remote On/Off

Test Configurations



Note: Input reflected-ripple current is measured with a simulated source impedance of 12 μ H. Capacitor C_s offsets possible battery impedance. Current is measured at the input of the module.

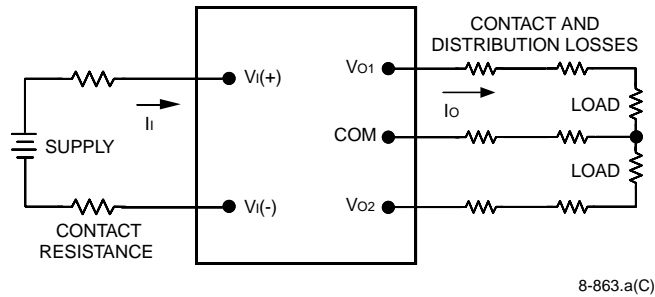
Figure 7. Input Reflected-Ripple Test Setup



Note: Use a 0.1 μ F ceramic capacitor. Scope measurement should be made using a BNC socket. Position the load between 50 mm (2 in.) and 75 mm (3 in.) from the module.

Figure 8. Peak-to-Peak Output Noise Measurement Test Setup

Test Configurations (continued)



Note: All measurements are taken at the module terminals. When socketing, place Kelvin connections at module terminals to avoid measurement errors due to socket contact resistance.

$$\eta = \frac{\sum_{j=1}^n | [V_{Oj} - COM] I_{Oj} |}{[V_1(+)-V_1(-)] I_i} \times 100$$

Figure 9. Output Voltage and Efficiency Measurement Test Setup

Design Considerations

Input Source Impedance

The power modules should be connected to low ac-impedance input sources. Highly inductive source impedances can affect the stability of the power modules. For the test configuration in Figure 7, a 33 μF electrolytic capacitor (ESR < 0.7 ¼ at 100 kHz) mounted close to the power module helps ensure stability of the unit. For other highly inductive source impedances, consult the factory for further application guidelines.

Metal Case Connection

For standard units, the case is connected internally to V1(-). For units with the case ground pin option, the case is not connected internally allowing the user flexibility in grounding.

Safety Considerations

For safety-agency approval of the system in which the power module is used, the power module must be installed in compliance with the spacing and separation requirements of the end-use safety agency standard, i.e., UL-1950, CSA 22.2-950, EN60950.

For the converter output to be considered meeting the requirements of safety extra low voltage (SELV), the input must meet SELV requirements.

If the input meets extra low voltage (ELV) requirements, then the converter's output is considered ELV.

The input to these units are to be provided with a maximum 5 A normal-blow fuse in the ungrounded lead.

Feature Descriptions

Output Overvoltage Clamp

The output overvoltage clamp consists of control circuitry, independent of the primary regulation loop, that monitors the voltage on the output terminals. The control loop of the shutdown has a higher voltage set point than the primary loop (see Feature Specifications table).

In a fault condition, the overvoltage clamp ensures that the output voltage does not exceed $V_{O, clamp, max}$. This provides a redundant voltage-control that reduces the risk of output overvoltage.

Current Limit

To provide protection in a fault (output overload) condition, the unit is equipped with internal current-limiting circuitry and can endure current limiting for an unlimited duration. At the point of current-limit inception, the unit shifts from voltage control to current control. If the output voltage is pulled very low during a severe fault, the current-limit circuit can exhibit either foldback or tailout characteristics (output-current decrease or increase). The unit operate normally once the output current is brought back into its specified range.

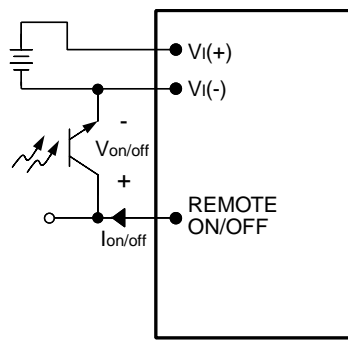
Feature Descriptions (continued)

Remote On/Off

Two remote on/off options are available. Positive logic remote on/off turns the module on during a logic high voltage on the remote on/off pin, and off during a logic low. Negative logic (code suffix of 1) remote on/off turns the module off during a logic high and on during a logic low.

To turn the power module on and off, the user must supply a switch to control the voltage between the on/off terminal and the $V_{I(-)}$ terminal ($V_{on/off}$). The switch can be an open collector or equivalent (see Figure 10). A logic low is $V_{on/off} = 0\text{ V}$ to 1.2 V , during which the module is off. The maximum $I_{on/off}$ during a logic low is 1 mA . The switch should maintain a logic low voltage while sinking 1 mA .

During a logic high, the maximum $V_{on/off}$ generated by the power module is 6 V . The maximum allowable leakage current of the switch at $V_{on/off} = 6\text{ V}$ is $50\text{ }\mu\text{A}$.



8-758.a(C)

Figure 10. Remote On/Off Implementation

Output Voltage Adjustment

Output voltage trim allows the user to increase or decrease the output voltage set point of a module. This is accomplished by connecting an external resistor between the TRIM pin and either the $V_{O(+)}$ or $V_{O(-)}$ pins. With an external resistor between the TRIM and $V_{O(+)}$ pins ($R_{adj-down}$), the output voltage set point ($V_{O,adj}$) decreases. With an external resistor between the TRIM and $V_{O(-)}$ pins (R_{adj-up}), $V_{O,adj}$ increases.

The following equation determines the required external resistor value to obtain an output voltage change of $\Delta\%$:

$$R_{adj-down} = \left[\frac{100a}{\Delta\%} - b \right] k^{3/4}$$

$$R_{adj-up} = \left[\frac{100c}{\Delta\%} - d \right] k^{3/4}$$

Device	a	b	c	d	-5% V_o $R_{adj-down}$	+5% V_o R_{adj-up}
LC016AJ	3.56	8.4	1.19	3.65	$62.8\text{ k}^{3/4}$	$20.1\text{ k}^{3/4}$
LC016BK	13.8	30.1	1.60	14.7	$246\text{ k}^{3/4}$	$17.3\text{ k}^{3/4}$
LC016CL	15.5	31.6	1.41	14.7	$278\text{ k}^{3/4}$	$13.5\text{ k}^{3/4}$

Feature Descriptions (continued)

Output Voltage Adjustment (continued)

The combination of the output voltage adjustment and sense range and the output voltage given in the Feature Specifications table cannot exceed 110% of the nominal output voltage between the Vo(+) and Vo(-) terminals.

The modules have fixed current-limit set points. Therefore, as the output voltage is adjusted down, the available output power is reduced. In addition, the minimum output current is a function of the output voltage. As the output voltage is adjusted down, the minimum required output current can increase.

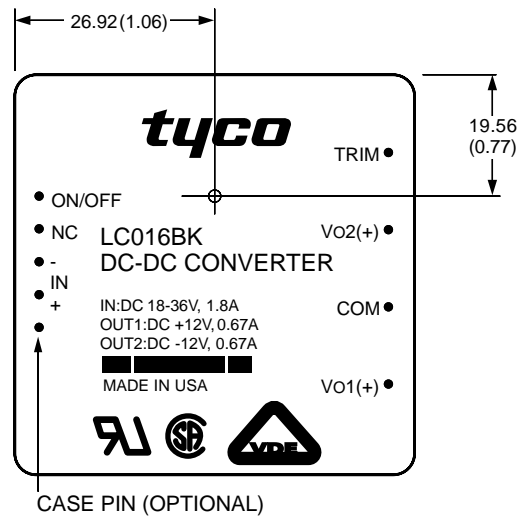
Synchronization (Optional)

The unit is capable of external synchronization from an independent time base with a switching rate of 256 kHz. The amplitude of the synchronizing pulse train is TTL compatible and the duty cycle ranges between 40% and 60%. Synchronization is referenced to VIN(+).

Thermal Considerations

Introduction

The LC016 power module operates in a variety of thermal environments; however, sufficient cooling should be provided to help ensure reliable operation of the unit. Heat-dissipating components inside the unit are thermally coupled to the case. Heat is removed by conduction, convection, and radiation to the surrounding environment. Proper cooling can be verified by measuring the case temperature. Peak case temperature (Tc) occurs at the position indicated in Figure 11.



8-1265(C),b

Note: Dimensions are in millimeters and (inches).

Figure 11. Case Temperature Measurement Location

Note that the view in Figure 11 is of the metal surface of the module—the pin locations shown are for reference. The temperature at this location should not exceed 100 °C. The output power of the module should not exceed the rated power for the module as listed in the Ordering Information table.

Heat Transfer Without Heat Sinks

Increasing airflow over the module enhances the heat transfer via convection. Figure 12 shows the maximum power that can be dissipated by the module without exceeding the maximum case temperature versus local ambient temperature (TA) for natural convection through 3.0 ms⁻¹ (600 ft./min.).

Thermal Considerations (continued)

Heat Transfer Without Heat Sinks (continued)

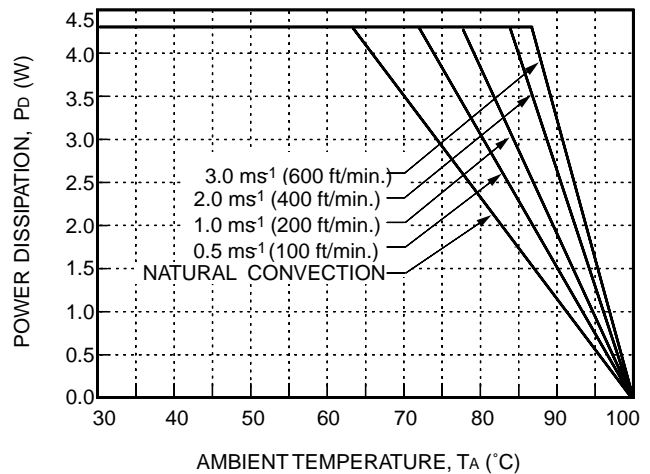
Note that the natural convection condition was measured at 0.05 ms^{-1} (10 ft./min.) to 0.1 ms^{-1} (20 ft./min.); however, systems in which these power modules may be used typically generate natural convection airflow rates of 0.3 ms^{-1} (60 ft./min.) due to other heat dissipating components in the system. Use of Figure 12 is shown in the following example.

Example

What is the minimum airflow necessary for a LC016AJ operating at high line, an output current of 0.8 A on each output, and a maximum ambient temperature of $82 \text{ }^\circ\text{C}$?

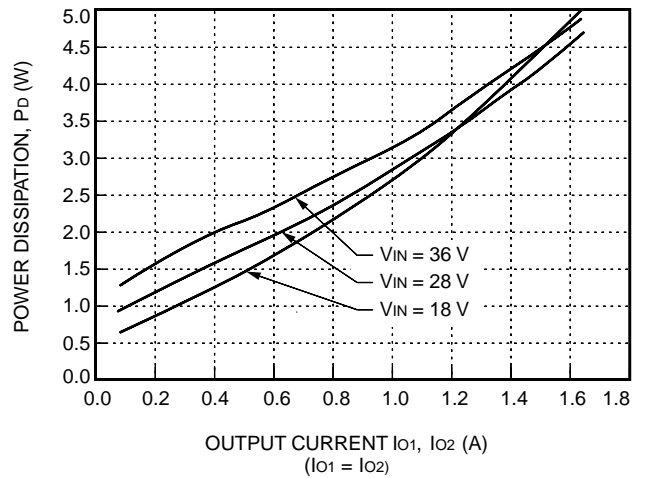
Solution:

Given: $V_I = 36 \text{ V}$, $I_{O1} = I_{O2} = 0.8 \text{ A}$, $T_A = 82 \text{ }^\circ\text{C}$
 Determine P_D (Figure 13): $P_D = 2.75 \text{ W}$
 Determine Airflow (Figure 12): $v = 0.5 \text{ ms}^{-1}$
 (100 ft./min.)



8-1282(C).a

Figure 12. Forced Convection Power Derating with No Heat Sink; Either Orientation

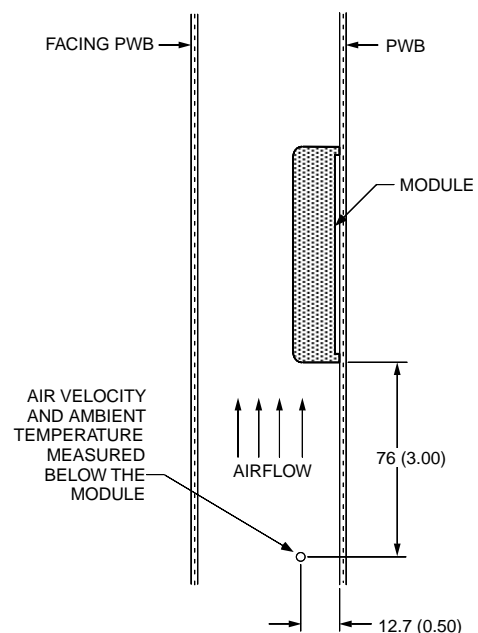


8-1370(C)

Figure 13. LC016AJ Power Dissipation vs. Output Current, $T_A = 25 \text{ }^\circ\text{C}$

Module Derating

The derating curves in Figure 12 were obtained from measurements obtained in an experimental apparatus shown in Figure 14. Note that the module and the printed-wiring board (PWB) that it is mounted on are vertically oriented. The passage has a rectangular cross section.



8-1126.a(C)

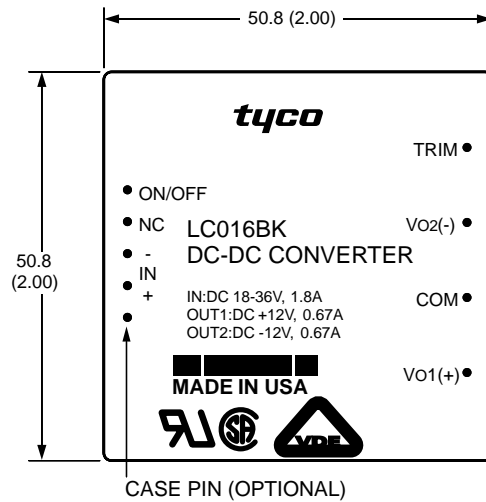
Note: Dimensions are in millimeters and (inches).

Figure 14. Experimental Test Setup

Outline Diagram

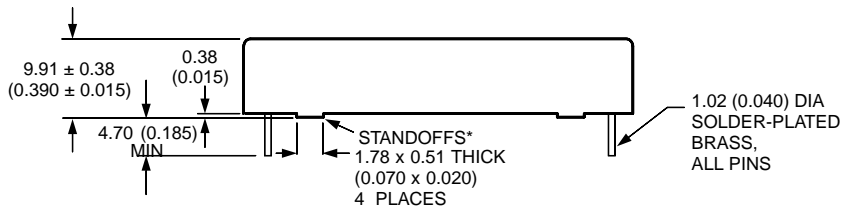
Dimensions are in millimeters and (inches). Copper paths must not be routed beneath the power module standoffs. Tolerances: $x.x \pm 0.5$ mm (0.02 in.), $x.xx \pm 0.25$ mm (0.010 in.). Pin-to-pin tolerances are not cumulative.

Top View



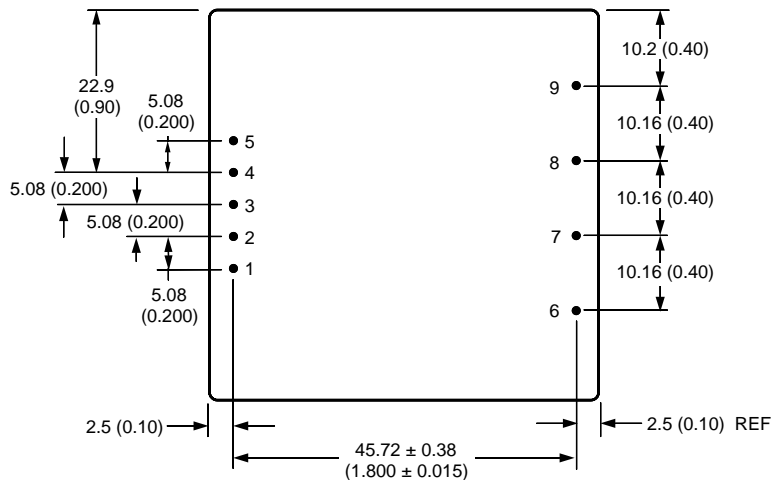
Pin	Function
1	Remote On/Off
2	No Connection (sync feature optional)
3	Vi(-)/Case [†]
4	Vi(+)
5	Case Pin (pin optional) [†]
6	Trim
7	- Output
8	Common
9	+ Output

Side View



[†] Case is not connected to pin 3 if optional case pin 5 is specified.

Bottom View

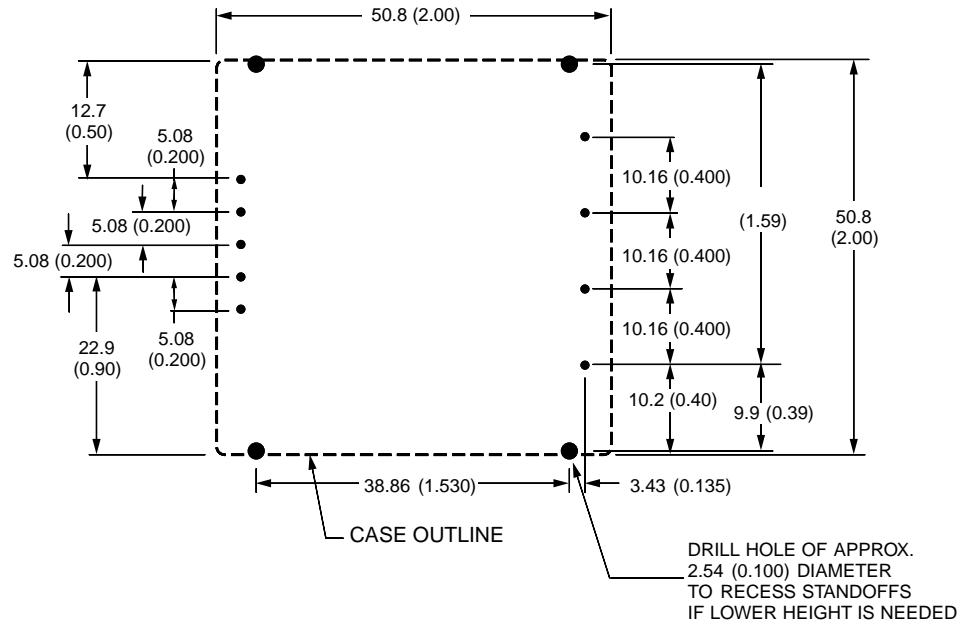


* At the time this document was printed, standoffs were being added to the case.

Recommended Hole Pattern

Component-side footprint.

Dimensions are in millimeters and (inches).



8-1198(C).d

Ordering Information

Input Voltage	Output Voltage	Output Power	Device Code	Comcode
28 V	±5 V	16 W	LC016AJ	107640823
28 V	±12 V	16 W	LC016BK	107680985
28 V	±15 V	16 W	LC016CL	107680993

Optional features maybe ordered using the device code suffixes shown below. To order more than one option, list suffixes in numerically descending order.

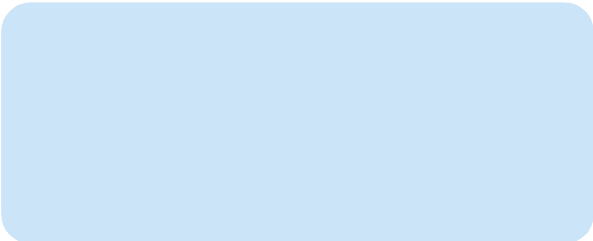
Option	Device Code Suffix
Short pin: 2.79 mm ± 0.25 mm (0.110 in. ± 0.010 in.)	8
Case pin	7
Synchronization	3
Negative on/off logic	1

Please contact your Tyco Electronics' Account Manager or Field Application Engineer for pricing and availability.

Notes



Tyco Electronics Power Systems, Inc.
3000 Skyline Drive, Mesquite, TX 75149, USA
+1-800-526-7819 FAX: +1-888-315-5182
(Outside U.S.A.: **+1-972-284-2626**, FAX: +1-972-284-2900)
<http://power.tycoelectronics.com>



Tyco Electronics Corporation reserves the right to make changes to the product(s) or information contained herein without notice. No liability is assumed as a result of their use or application. No rights under any patent accompany the sale of any such product(s) or information.

© 2001 Tyco Electronics Corporation, Harrisburg, PA. All International Rights Reserved.
Printed in U.S.A.

January 1997
DS96-001EPS

