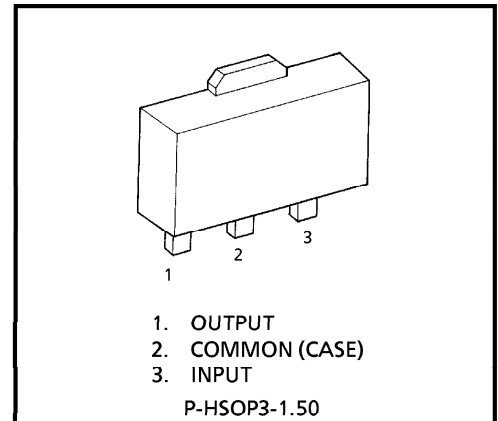


TOSHIBA BIPOLAR LINEAR INTEGRATED CIRCUIT SILICON MONOLITHIC  
**TA78DS05F, TA78DS06F, TA78DS08F, TA78DS09F**  
**TA78DS10F, TA78DS12F, TA78DS15F, TA78DS05AF**

**5 V, 6 V, 8 V, 9 V, 10 V, 12 V, 15 V**

**LOW DROPOUT VOLTAGE REGULATOR**

The TA78DSxxF series consists of positive fixed output voltage regulator IC capable of sourcing current up to 30 mA. Due to the features of low dropout voltage and low standby current, these devices are useful for battery powered equipment. This series includes current limiting, thermal shutdown, over voltage protection, input fault protection and excessive transient protection circuits internally.

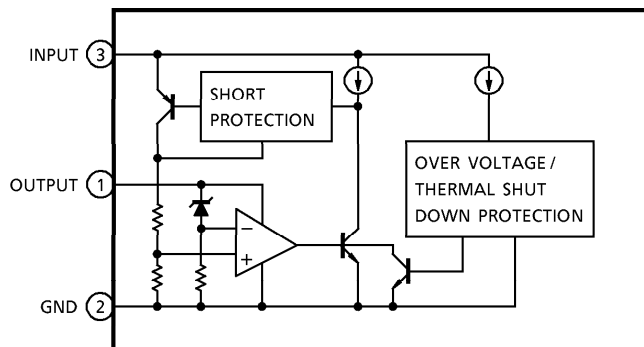


Weight : 0.05 g (Typ.)

**FEATURES**

- Low Standby Current of 600  $\mu$ A Typical
- Maximum Output Current Up to 30 mA
- Low Dropout Voltage of Less than 0.3 V
- Multi-protection : Reverse Connection of Power Supply, 60 V Load Dump, Thermal Shut Down and Current Limiting
- Packaged in POWER MINI (SOT-89)

**BLOCK DIAGRAM**



980910EBA1

- TOSHIBA is continually working to improve the quality and the reliability of its products. Nevertheless, semiconductor devices in general can malfunction or fail due to their inherent electrical sensitivity and vulnerability to physical stress. It is the responsibility of the buyer, when utilizing TOSHIBA products, to observe standards of safety, and to avoid situations in which a malfunction or failure of a TOSHIBA product could cause loss of human life, bodily injury or damage to property. In developing your designs, please ensure that TOSHIBA products are used within specified operating ranges as set forth in the most recent products specifications. Also, please keep in mind the precautions and conditions set forth in the TOSHIBA Semiconductor Reliability Handbook.
- The products described in this document are subject to the foreign exchange and foreign trade laws.
- The information contained herein is presented only as a guide for the applications of our products. No responsibility is assumed by TOSHIBA CORPORATION for any infringements of intellectual property or other rights of the third parties which may result from its use. No license is granted by implication or otherwise under any intellectual property or other rights of TOSHIBA CORPORATION or others.
- The information contained herein is subject to change without notice.

**MAXIMUM RATINGS (Ta = 25°C)**

CHARACTERISTIC	SYMBOL	RATING	UNIT
Operating Input Voltage	V <sub>IN</sub>	29	V
Input Voltage of Surge	V <sub>IN</sub>	60	V
Power Dissipation (Ta = 25°C)	P <sub>D</sub>	500	mW
Operating Temperature	T <sub>opr</sub>	-40~85	°C
Storage Temperature	T <sub>stg</sub>	-55~150	°C
Junction Temperature	T <sub>j</sub>	150	°C
Thermal Resistance	R <sub>th(j-a)</sub>	250	°C/W
Soldering Temperature:Time	T <sub>sol</sub>	260 (10 s)	°C

TYPE	MARKING
TA78DS05F	AP
TA78DS06F	BP
TA78DS08F	CP
TA78DS09F	DP
TA78DS10F	EP
TA78DS12F	FP
TA78DS15F	GP
TA78DS05AF	AQ

**TA78DS05F**

**ELECTRICAL CHARACTERISTICS**

(Unless otherwise specified, V<sub>IN</sub> = 14 V, I<sub>OUT</sub> = 5 mA, C<sub>IN</sub> = 0.1 μF, C<sub>OUT</sub> = 3.3 μF, T<sub>j</sub> = 25°C)

CHARACTERISTIC	SYMBOL	TEST CIR-CUIT	TEST CONDITION	MIN.	TYP.	MAX.	UNIT
Output Voltage	V <sub>OUT</sub>	—	5.35 V ≤ V <sub>IN</sub> ≤ 26 V	4.75	5.0	5.25	V
			5.35 V ≤ V <sub>IN</sub> ≤ 26 V -40°C ≤ Ta ≤ 85°C	4.5	5.0	5.5	
Line Regulation	Reg·Line	—	9.0 V ≤ V <sub>IN</sub> ≤ 16 V	—	1	10	mV
			6.0 V ≤ V <sub>IN</sub> ≤ 26 V	—	4	30	
Load Regulation	Reg·Load	—	5.0 mA ≤ I <sub>OUT</sub> ≤ 30 mA	—	1	50	mV
Quiescent Current	I <sub>B</sub>	—	I <sub>OUT</sub> = 0 mA	—	0.6	1	mA
			6 V ≤ V <sub>IN</sub> ≤ 26 V, I <sub>OUT</sub> = 5 mA	—	0.7	1	
Dropout Voltage	V <sub>D</sub>	—	I <sub>OUT</sub> = 5 mA	—	0.1	0.2	V
			I <sub>OUT</sub> = 10 mA	—	0.2	0.3	
Max. Operating Voltage	V <sub>IN</sub>	—	—	29	33	—	V

**TA78DS05AF**

**ELECTRICAL CHARACTERISTICS**

(Unless otherwise specified, V<sub>IN</sub> = 14 V, I<sub>OUT</sub> = 5 mA, C<sub>IN</sub> = 0.1 μF, C<sub>OUT</sub> = 3.3 μF, T<sub>j</sub> = 25°C)

CHARACTERISTIC	SYMBOL	TEST CIR-CUIT	TEST CONDITION	MIN.	TYP.	MAX.	UNIT
Output Voltage	V <sub>OUT</sub>	—	5.35 V ≤ V <sub>IN</sub> ≤ 26 V	4.8	5.0	5.2	V
			5.35 V ≤ V <sub>IN</sub> ≤ 26 V -40°C ≤ Ta ≤ 85°C	4.75	5.0	5.25	
Line Regulation	Reg·Line	—	9.0 V ≤ V <sub>IN</sub> ≤ 16 V	—	1	10	mV
			6.0 V ≤ V <sub>IN</sub> ≤ 26 V	—	4	30	
Load Regulation	Reg·Load	—	5.0 mA ≤ I <sub>OUT</sub> ≤ 30 mA	—	1	50	mV
Quiescent Current	I <sub>B</sub>	—	I <sub>OUT</sub> = 0 mA	—	0.6	1	mA
			6 V ≤ V <sub>IN</sub> ≤ 26 V, I <sub>OUT</sub> = 5 mA	—	0.7	1	
Dropout Voltage	V <sub>D</sub>	—	I <sub>OUT</sub> = 5 mA	—	0.1	0.2	V
			I <sub>OUT</sub> = 10 mA	—	0.2	0.3	
Max. Operating Voltage	V <sub>IN</sub>	—	—	29	33	—	V

TA78DS06F

**ELECTRICAL CHARACTERISTICS**

(Unless otherwise specified,  $V_{IN} = 14\text{ V}$ ,  $I_{OUT} = 5\text{ mA}$ ,  $C_{IN} = 0.1\ \mu\text{F}$ ,  $C_{OUT} = 3.3\ \mu\text{F}$ ,  $T_j = 25^\circ\text{C}$ )

CHARACTERISTIC	SYMBOL	TEST CIR-CUIT	TEST CONDITION	MIN.	TYP.	MAX.	UNIT
Output Voltage	$V_{OUT}$	—	$6.35\text{ V} \leq V_{IN} \leq 26\text{ V}$	5.7	6.0	6.3	V
			$6.35\text{ V} \leq V_{IN} \leq 26\text{ V}$ $-40^\circ\text{C} \leq T_a \leq 85^\circ\text{C}$	5.4	6.0	6.6	
Line Regulation	Reg·Line	—	$10\text{ V} \leq V_{IN} \leq 17\text{ V}$	—	1	20	mV
			$7.0\text{ V} \leq V_{IN} \leq 26\text{ V}$	—	4	40	
Load Regulation	Reg·Load	—	$5.0\text{ mA} \leq I_{OUT} \leq 30\text{ mA}$	—	1	60	mV
Quiescent Current	$I_B$	—	$I_{OUT} = 0\text{ mA}$	—	0.6	1.1	mA
			$7\text{ V} \leq V_{IN} \leq 26\text{ V}$ , $I_{OUT} = 5\text{ mA}$	—	0.7	1.1	
Dropout Voltage	$V_D$	—	$I_{OUT} = 5\text{ mA}$	—	0.1	0.2	V
			$I_{OUT} = 10\text{ mA}$	—	0.2	0.3	
Max. Operating Voltage	$V_{IN}$	—	—	29	33	—	V

TA78DS08F

**ELECTRICAL CHARACTERISTICS**

(Unless otherwise specified,  $V_{IN} = 14\text{ V}$ ,  $I_{OUT} = 5\text{ mA}$ ,  $C_{IN} = 0.1\ \mu\text{F}$ ,  $C_{OUT} = 3.3\ \mu\text{F}$ ,  $T_j = 25^\circ\text{C}$ )

CHARACTERISTIC	SYMBOL	TEST CIR-CUIT	TEST CONDITION	MIN.	TYP.	MAX.	UNIT
Output Voltage	$V_{OUT}$	—	$8.35\text{ V} \leq V_{IN} \leq 26\text{ V}$	7.6	8.0	8.4	V
			$8.35\text{ V} \leq V_{IN} \leq 26\text{ V}$ $-40^\circ\text{C} \leq T_a \leq 85^\circ\text{C}$	7.2	8.0	8.8	
Line Regulation	Reg·Line	—	$12\text{ V} \leq V_{IN} \leq 19\text{ V}$	—	2	30	mV
			$9.0\text{ V} \leq V_{IN} \leq 26\text{ V}$	—	5	60	
Load Regulation	Reg·Load	—	$5.0\text{ mA} \leq I_{OUT} \leq 30\text{ mA}$	—	4	80	mV
Quiescent Current	$I_B$	—	$I_{OUT} = 0\text{ mA}$	—	0.7	1.2	mA
			$9\text{ V} \leq V_{IN} \leq 26\text{ V}$ , $I_{OUT} = 5\text{ mA}$	—	0.8	1.2	
Dropout Voltage	$V_D$	—	$I_{OUT} = 5\text{ mA}$	—	0.1	0.2	V
			$I_{OUT} = 10\text{ mA}$	—	0.2	0.3	
Max. Operating Voltage	$V_{IN}$	—	—	29	33	—	V

TA78DS09F

**ELECTRICAL CHARACTERISTICS**

(Unless otherwise specified,  $V_{IN} = 14\text{ V}$ ,  $I_{OUT} = 5\text{ mA}$ ,  $C_{IN} = 0.1\ \mu\text{F}$ ,  $C_{OUT} = 3.3\ \mu\text{F}$ ,  $T_j = 25^\circ\text{C}$ )

CHARACTERISTIC	SYMBOL	TEST CIR-CUIT	TEST CONDITION	MIN.	TYP.	MAX.	UNIT
Output Voltage	$V_{OUT}$	—	$9.35\text{ V} \leq V_{IN} \leq 26\text{ V}$	8.55	9.0	9.45	V
			$9.35\text{ V} \leq V_{IN} \leq 26\text{ V}$ $-40^\circ\text{C} \leq T_a \leq 85^\circ\text{C}$	8.1	9.0	9.9	
Line Regulation	Reg·Line	—	$13\text{ V} \leq V_{IN} \leq 20\text{ V}$	—	2	35	mV
			$10.0\text{ V} \leq V_{IN} \leq 26\text{ V}$	—	5	70	
Load Regulation	Reg·Load	—	$5.0\text{ mA} \leq I_{OUT} \leq 30\text{ mA}$	—	4	90	mV
Quiescent Current	$I_B$	—	$I_{OUT} = 0\text{ mA}$	—	0.7	1.3	mA
			$10\text{ V} \leq V_{IN} \leq 26\text{ V}$ , $I_{OUT} = 5\text{ mA}$	—	0.8	1.3	
Dropout Voltage	$V_D$	—	$I_{OUT} = 5\text{ mA}$	—	0.1	0.2	V
			$I_{OUT} = 10\text{ mA}$	—	0.2	0.3	
Max. Operating Voltage	$V_{IN}$	—	—	29	33	—	V

TA78DS10F

**ELECTRICAL CHARACTERISTICS**

(Unless otherwise specified,  $V_{IN} = 14\text{ V}$ ,  $I_{OUT} = 5\text{ mA}$ ,  $C_{IN} = 0.1\ \mu\text{F}$ ,  $C_{OUT} = 3.3\ \mu\text{F}$ ,  $T_j = 25^\circ\text{C}$ )

CHARACTERISTIC	SYMBOL	TEST CIR-CUIT	TEST CONDITION	MIN.	TYP.	MAX.	UNIT
Output Voltage	$V_{OUT}$	—	$10.35\text{ V} \leq V_{IN} \leq 26\text{ V}$	9.5	10.0	10.5	V
			$10.35\text{ V} \leq V_{IN} \leq 26\text{ V}$ $-40^\circ\text{C} \leq T_a \leq 85^\circ\text{C}$	9.0	10.0	11.0	
Line Regulation	Reg·Line	—	$14\text{ V} \leq V_{IN} \leq 21\text{ V}$	—	3	40	mV
			$11\text{ V} \leq V_{IN} \leq 26\text{ V}$	—	7	80	
Load Regulation	Reg·Load	—	$5.0\text{ mA} \leq I_{OUT} \leq 30\text{ mA}$	—	6	100	mV
Quiescent Current	$I_B$	—	$I_{OUT} = 0\text{ mA}$	—	0.7	1.4	mA
			$11\text{ V} \leq V_{IN} \leq 26\text{ V}$ , $I_{OUT} = 5\text{ mA}$	—	0.8	1.4	
Dropout Voltage	$V_D$	—	$I_{OUT} = 5\text{ mA}$	—	0.1	0.2	V
			$I_{OUT} = 10\text{ mA}$	—	0.2	0.3	
Max. Operating Voltage	$V_{IN}$	—	—	29	33	—	V

TA78DS12F

**ELECTRICAL CHARACTERISTICS**

(Unless otherwise specified,  $V_{IN} = 18\text{ V}$ ,  $I_{OUT} = 5\text{ mA}$ ,  $C_{IN} = 0.1\ \mu\text{F}$ ,  $C_{OUT} = 3.3\ \mu\text{F}$ ,  $T_j = 25^\circ\text{C}$ )

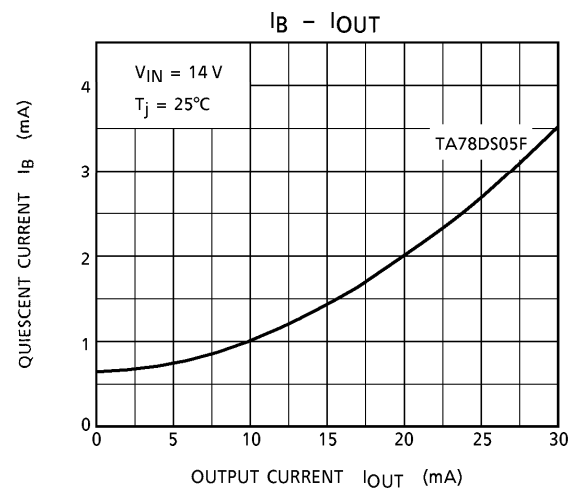
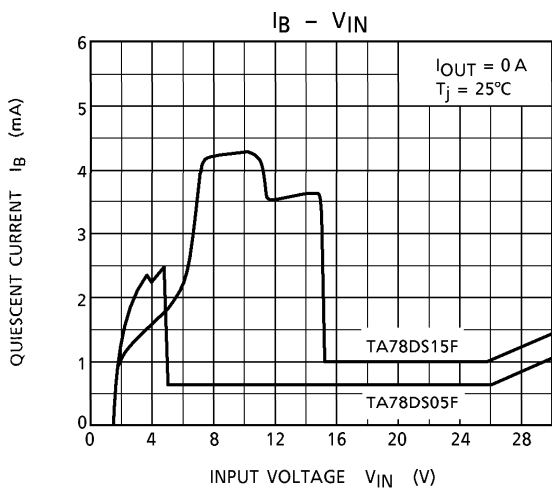
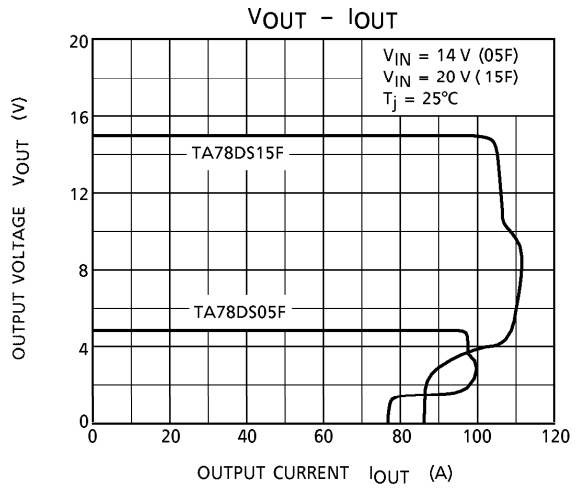
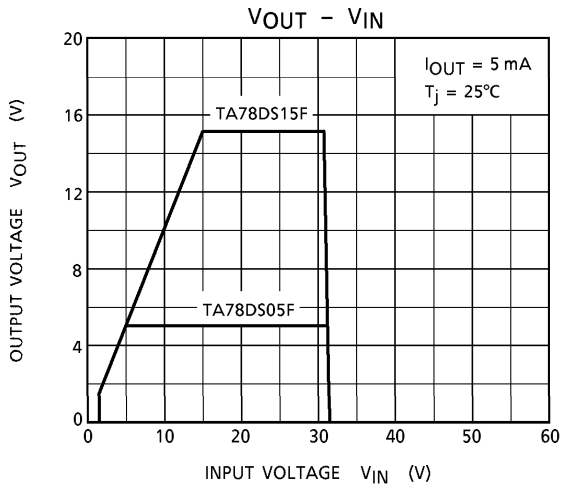
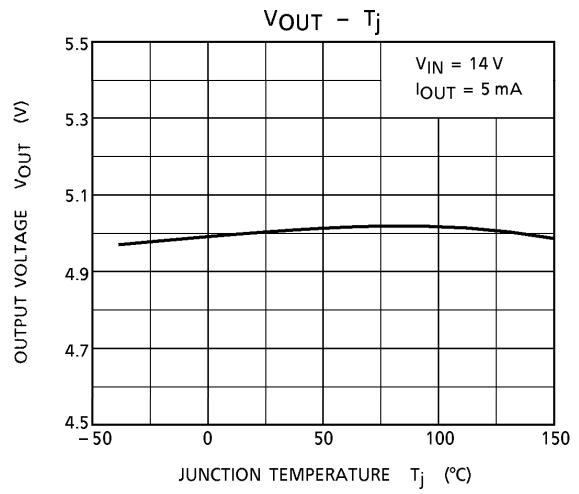
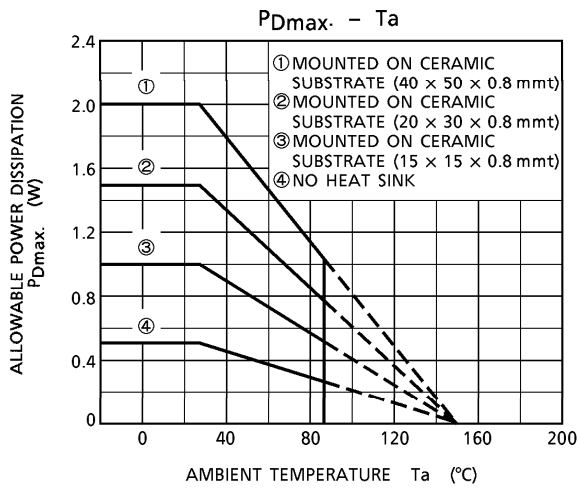
CHARACTERISTIC	SYMBOL	TEST CIR-CUIT	TEST CONDITION	MIN.	TYP.	MAX.	UNIT
Output Voltage	$V_{OUT}$	—	$12.35\text{ V} \leq V_{IN} \leq 26\text{ V}$	11.4	12.0	12.6	V
			$12.35\text{ V} \leq V_{IN} \leq 26\text{ V}$ $-40^\circ\text{C} \leq T_a \leq 85^\circ\text{C}$	10.8	12.0	13.2	
Line Regulation	Reg-Line	—	$16\text{ V} \leq V_{IN} \leq 23\text{ V}$	—	4	50	mV
			$13\text{ V} \leq V_{IN} \leq 26\text{ V}$	—	8	100	
Load Regulation	Reg-Load	—	$5.0\text{ mA} \leq I_{OUT} \leq 30\text{ mA}$	—	2	120	mV
Quiescent Current	$I_B$	—	$I_{OUT} = 0\text{ mA}$	—	0.8	1.5	mA
			$13\text{ V} \leq V_{IN} \leq 26\text{ V}$ , $I_{OUT} = 5\text{ mA}$	—	1.0	1.5	
Dropout Voltage	$V_D$	—	$I_{OUT} = 5\text{ mA}$	—	0.1	0.2	V
			$I_{OUT} = 10\text{ mA}$	—	0.2	0.3	
Max. Operating Voltage	$V_{IN}$	—	—	29	33	—	V

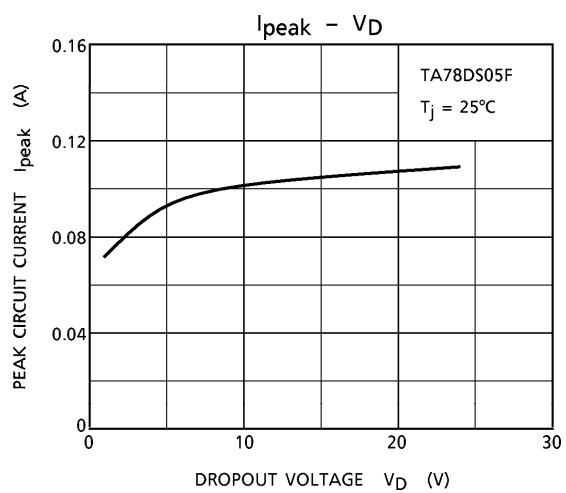
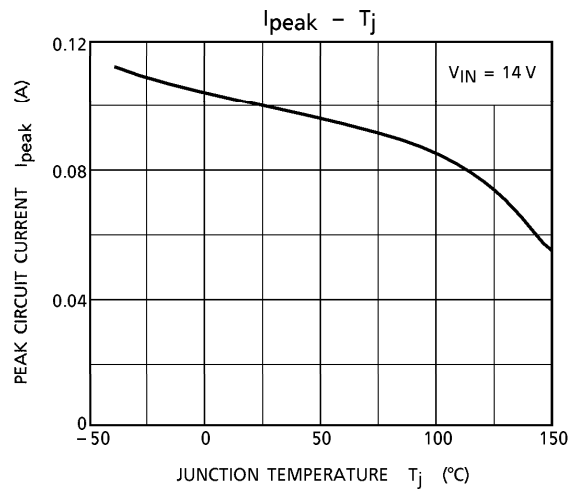
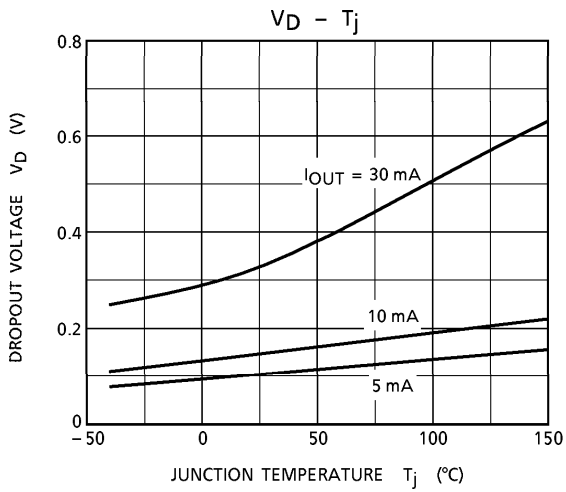
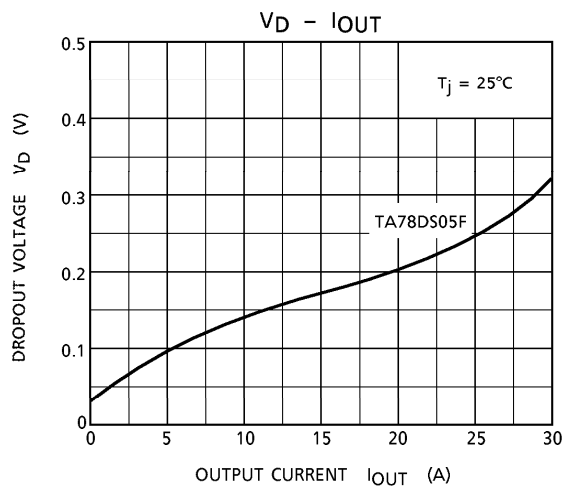
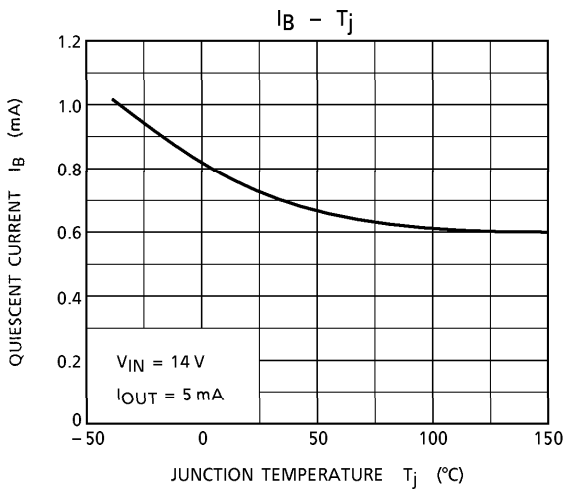
TA78DS15F

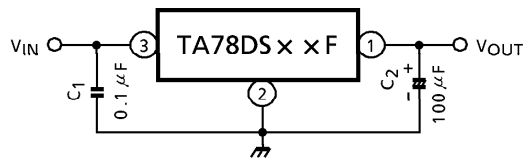
**ELECTRICAL CHARACTERISTICS**

(Unless otherwise specified,  $V_{IN} = 20\text{ V}$ ,  $I_{OUT} = 5\text{ mA}$ ,  $C_{IN} = 0.1\ \mu\text{F}$ ,  $C_{OUT} = 3.3\ \mu\text{F}$ ,  $T_j = 25^\circ\text{C}$ )

CHARACTERISTIC	SYMBOL	TEST CIR-CUIT	TEST CONDITION	MIN.	TYP.	MAX.	UNIT
Output Voltage	$V_{OUT}$	—	$15.35\text{ V} \leq V_{IN} \leq 26\text{ V}$	14.25	15.0	15.75	V
			$15.35\text{ V} \leq V_{IN} \leq 26\text{ V}$ $-40^\circ\text{C} \leq T_a \leq 85^\circ\text{C}$	13.5	15.0	16.5	
Line Regulation	Reg-Line	—	$19\text{ V} \leq V_{IN} \leq 26\text{ V}$	—	5	60	mV
			$16\text{ V} \leq V_{IN} \leq 26\text{ V}$	—	8	130	
Load Regulation	Reg-Load	—	$5.0\text{ mA} \leq I_{OUT} \leq 30\text{ mA}$	—	1	150	mV
Quiescent Current	$I_B$	—	$I_{OUT} = 0\text{ mA}$	—	1.0	1.6	mA
			$16\text{ V} \leq V_{IN} \leq 26\text{ V}$ , $I_{OUT} = 5\text{ mA}$	—	1.2	1.6	
Dropout Voltage	$V_D$	—	$I_{OUT} = 5\text{ mA}$	—	0.1	0.2	V
			$I_{OUT} = 10\text{ mA}$	—	0.2	0.3	
Max. Operating Voltage	$V_{IN}$	—	—	29	33	—	V





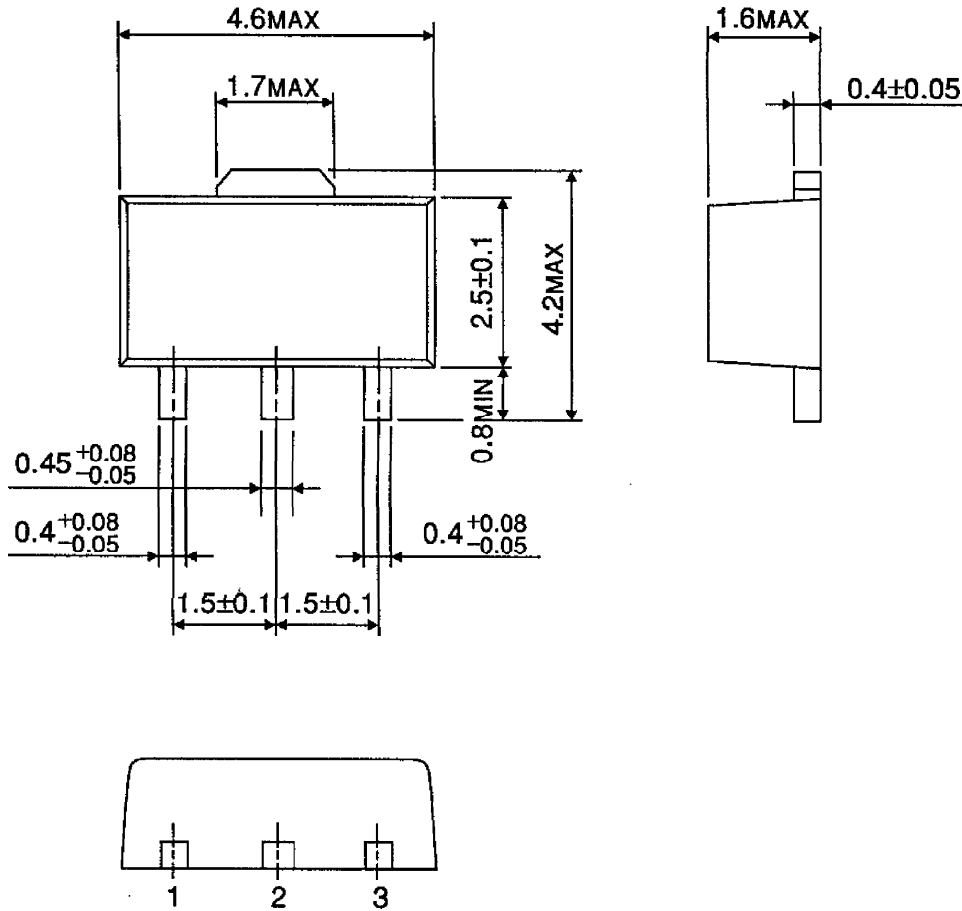
**APPLICATION CIRCUIT**

Capacitor C<sub>2</sub> must be guaranteed to operate of the temperature range that the regulator should be operated correctly, 100 μF is a suitable value to suppress the oscillation phenomenon at the output terminal.



**PACKAGE DIMENSIONS**  
P-HSOP3-1.50

Unit : mm



Weight : 0.05g (Typ.)